

# INSTALLATION MANUAL

**HUBER+SUHNER AG**  
Fiber Optics  
Fiber Management Systems  
DOC-0000719356 Rev G  
Date: 20/12/2018

Page 1 of 35


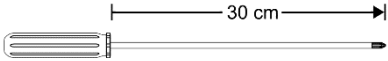


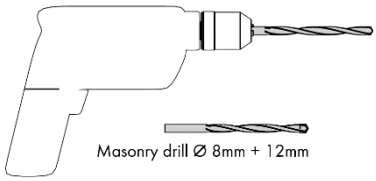


## CDR – Cable Distribution Rack

### Table of contents

• REQUIRED TOOLS .....	1
• REMOVAL OF DOORS AND SIDE PANELS .....	2
• CHANGE OF COVERS ON THE BACK .....	3
• MOUNTING OF CDR300 ON A FIXED FLOOR– CONCRETE FIXATION.....	4
• MOUNTING OF CDR300 ON A RAISED FLOOR .....	5
• MOUNTING OF CDR600 ON A FIXED FLOOR – CONCRETE FIXATION.....	8
• MOUNTING OF CDR600 ON A RAISED FLOOR .....	10
• MOUNTING OF CDR900 ON A FIXED FLOOR – CONCRETE FIXATION.....	12
• MOUNTING OF CDR900 ON A RAISED FLOOR .....	14
• MOUNTING OF CDR1200 ON A FIXED FLOOR – CONCRETE FIXATION.....	17
• MOUNTING OF CDR1200 ON A RAISED FLOOR .....	18
• ASSEMBLY OF CDR1500 .....	21
• MOUNTING OF CDR1500 ON A FIXED FLOOR– CONCRETE FIXATION.....	22
• MOUNTING OF CDR1500 ON A RAISED FLOOR .....	24
• MOUNTING OF CAGE NUT .....	26
• MOUNTING OF ROUTING CHANNEL .....	27
• MOUNTING OF CABLE RETAINER .....	30
• DEMOUNTING / MOUNTING OF MANDRELS.....	31
• MOUNTING OF GROUNDING CABLES / EARTH KIT .....	31
• BAYING RACKS TOGETHER SIDE BY SIDE .....	32
• BAYING RACKS TOGETHER BACK TO BACK .....	33
• MOUNTING OF RACK AGAINST A WALL .....	33
• MOUNTING OF RACK TO CEILING.....	34
• MOUNTING OF DOORS AND SIDE PANELS.....	34



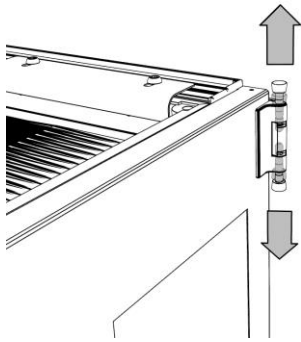
### REQUIRED TOOLS

Step 1	Step 2	Step 3
<p>Flat combined open-end wrench 12mm / screwdriver 6 supplied together with rack</p> 	<p>30 cm</p>    <ul style="list-style-type: none"> <li>• Long PZ / Phillips #2</li> <li>• PZ / Phillips #3</li> <li>• Combination spanner AF= 10 mm (M6) and 17mm (M10)</li> </ul>	 <p>Masonry drill Ø 8mm + 12mm</p>   <p>Tools for mounting CDR on a fixed or raised floor</p>

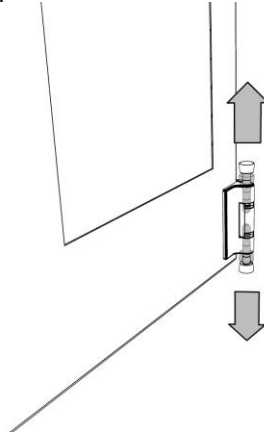
HUBER+SUHNER disclaims any liability resulting from incorrect installation and use, including any damages resulting from the use of tools and accessories other than the ones recommended herein. Any installation performed by unqualified personnel voids the product warranty provided by HUBER+SUHNER. All due care and attention must be exercised when performing the installation of these products. For advice concerning the general handling of these products please contact HUBER+SUHNER.

### REMOVAL OF DOORS AND SIDE PANELS

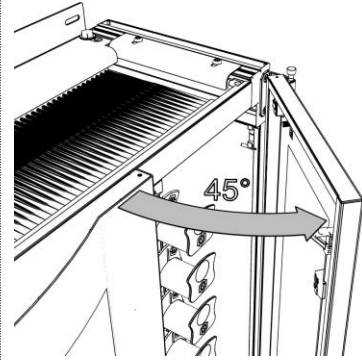
Step 1



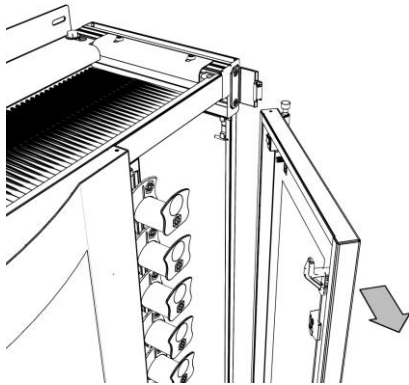
Step 2



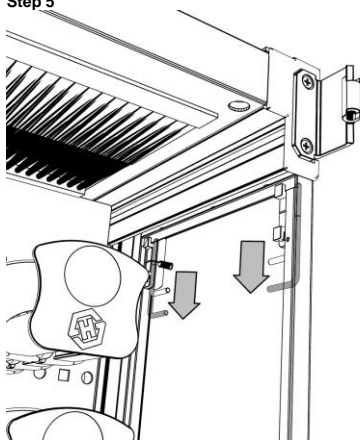
Step 3



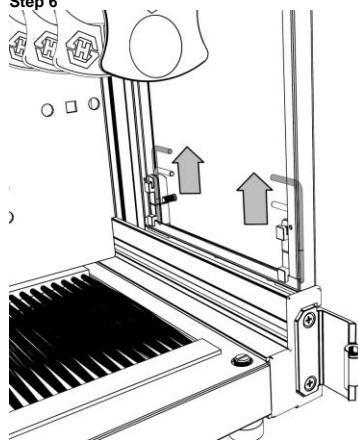
Step 4



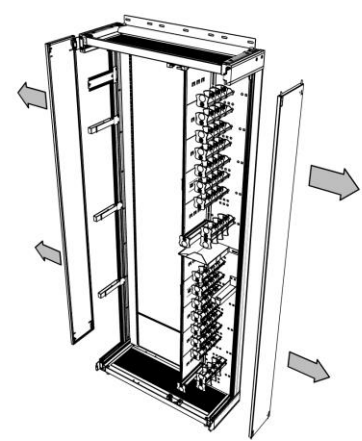
Step 5



Step 6

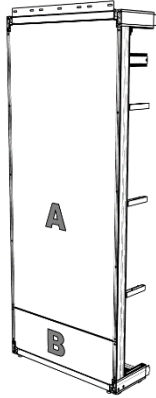


Step 7

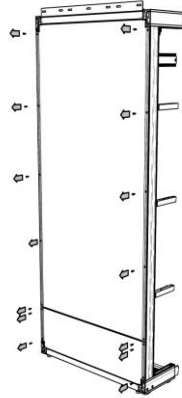


### CHANGE OF COVERS ON THE BACK

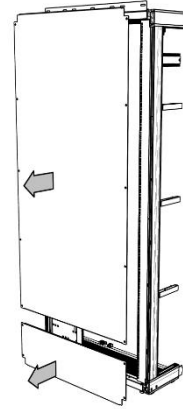
Step 1



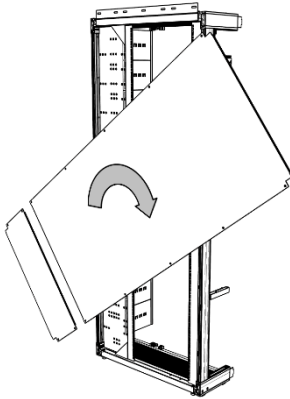
Step 2



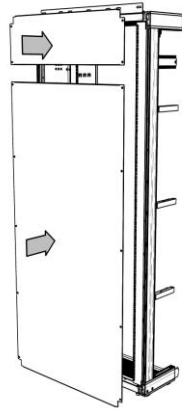
Step 3



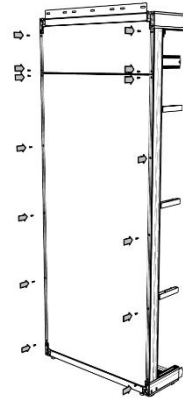
Step 4



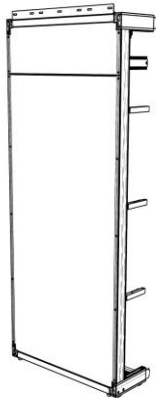
Step 5



Step 6



Step 7



Step 8



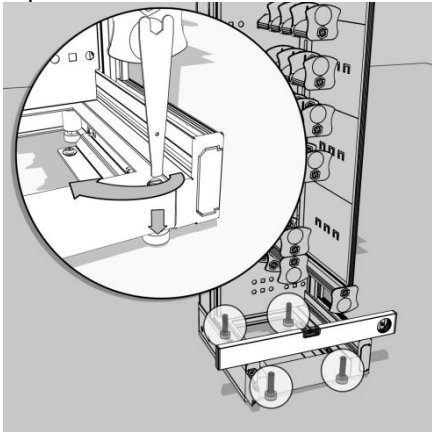
### MOUNTING OF CDR300 ON A FIXED FLOOR- CONCRETE FIXATION

Step 1

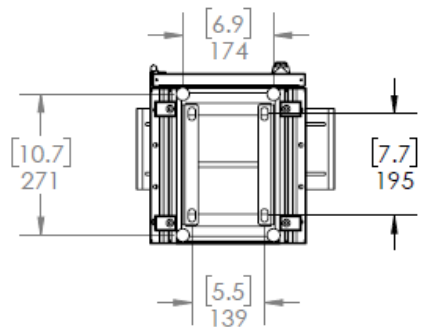


84091849

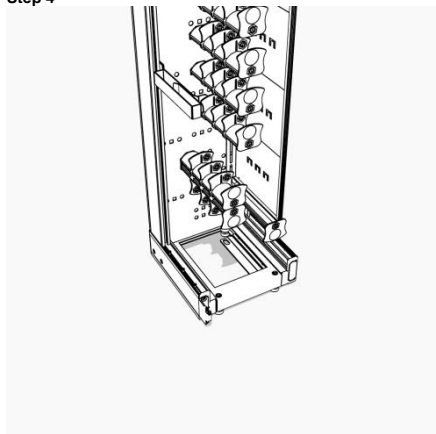
Step 2



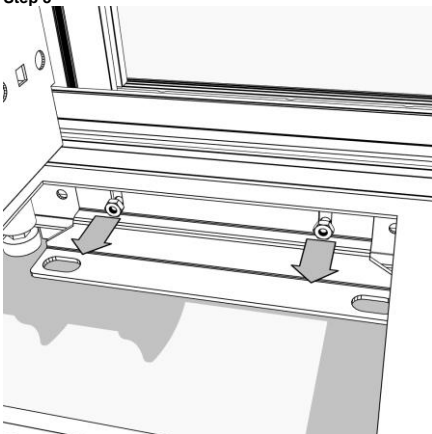
Step 3



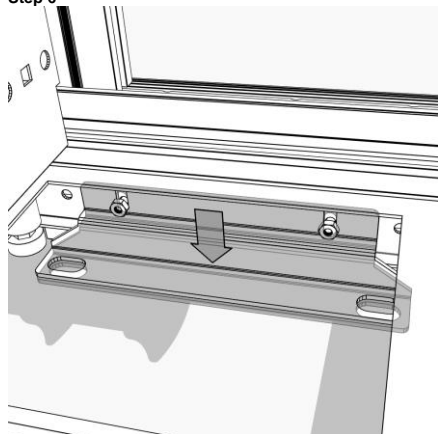
Step 4



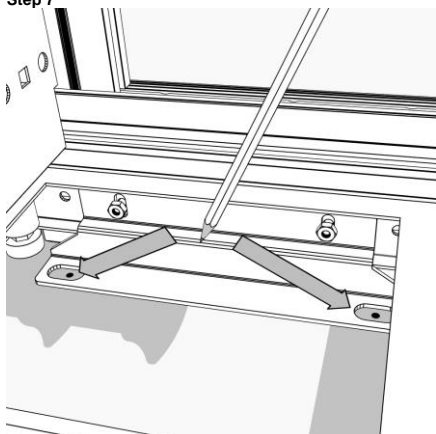
Step 5



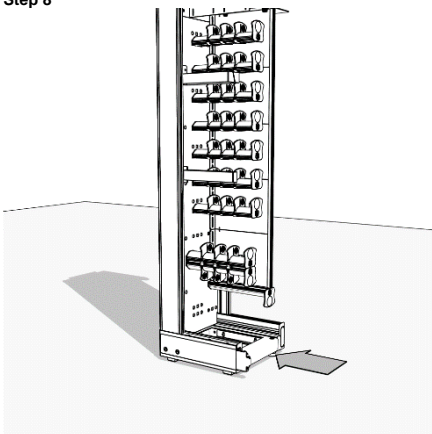
Step 6



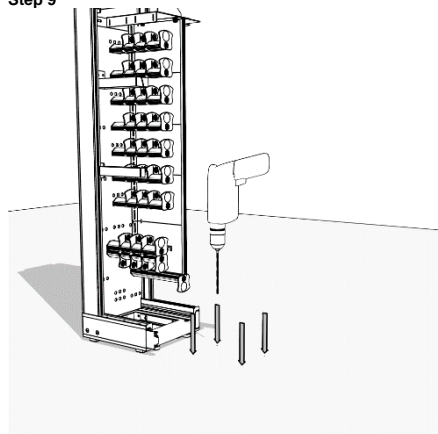
Step 7



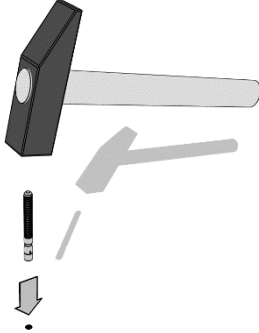
Step 8



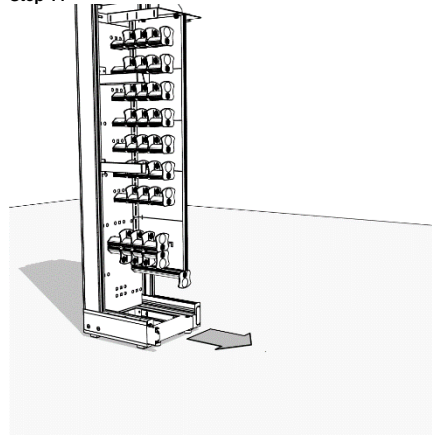
Step 9



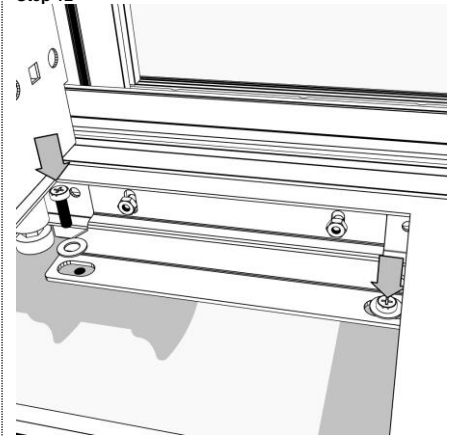
Step 10



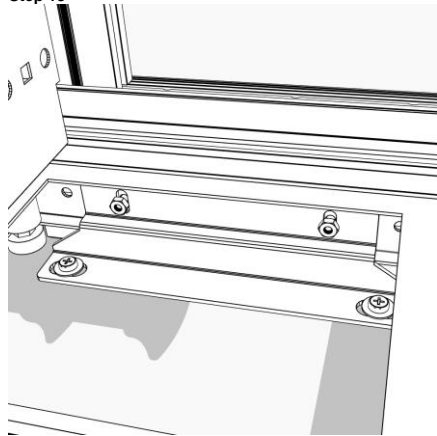
Step 11



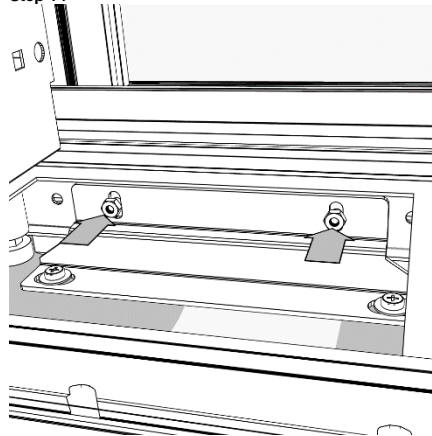
Step 12



Step 13



Step 14

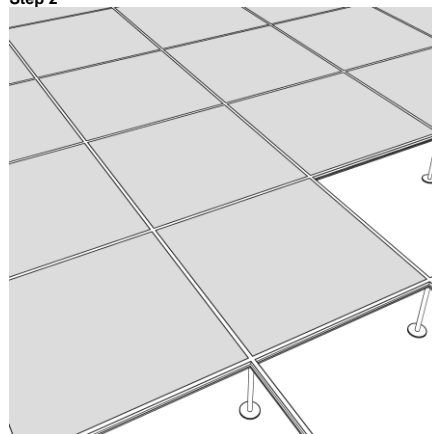


### MOUNTING OF CDR300 ON A RAISED FLOOR

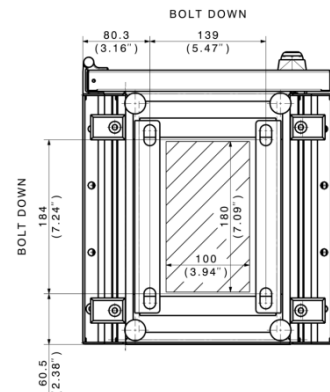
Step 1



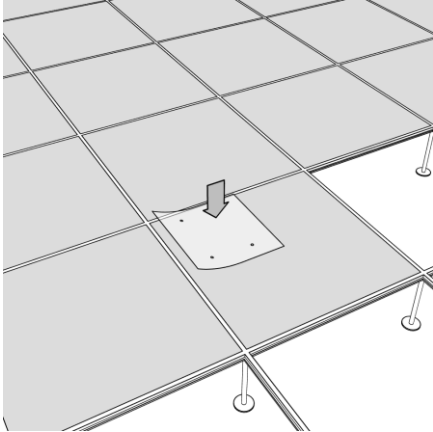
Step 2



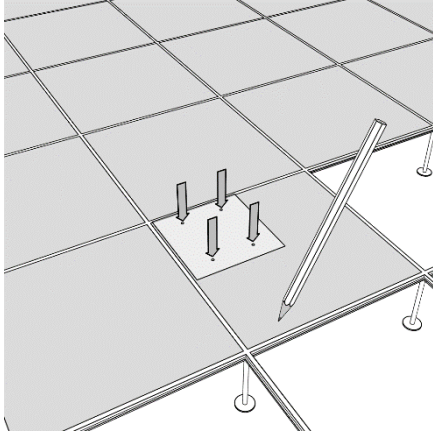
Step 3



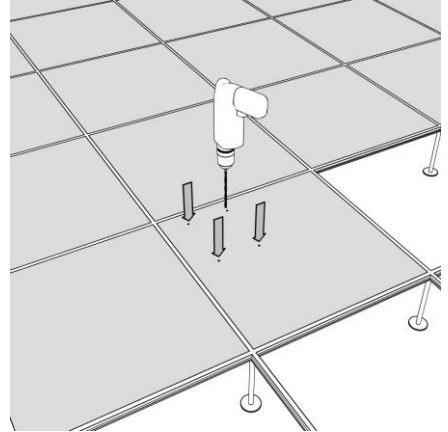
Step 4



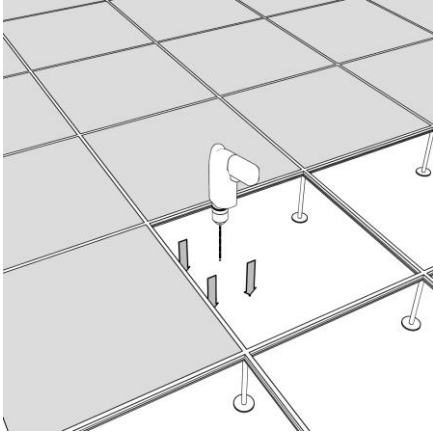
Step 5



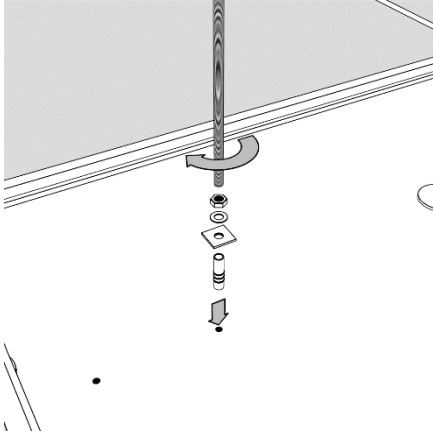
Step 6



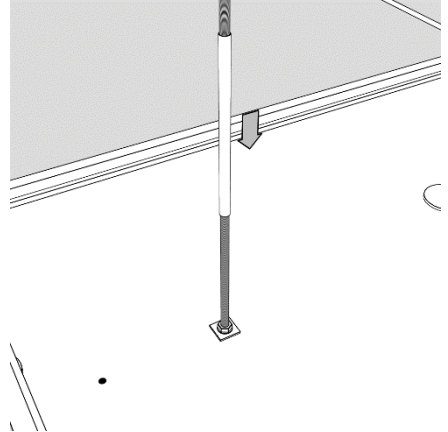
Step 7



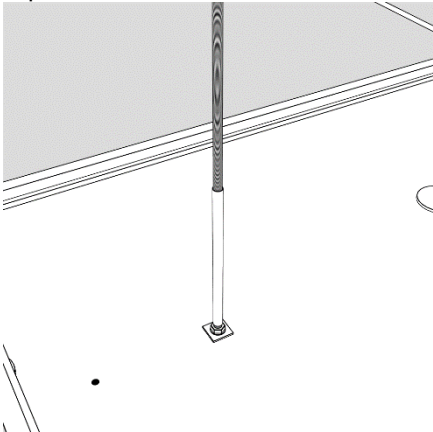
Step 8



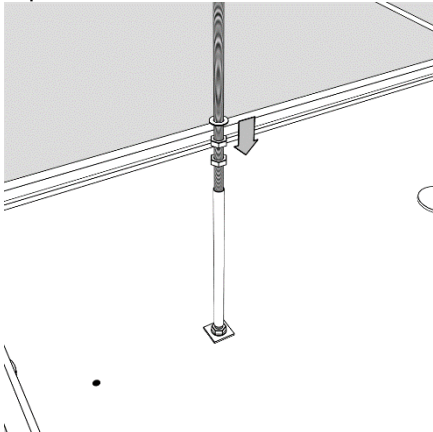
Step 9



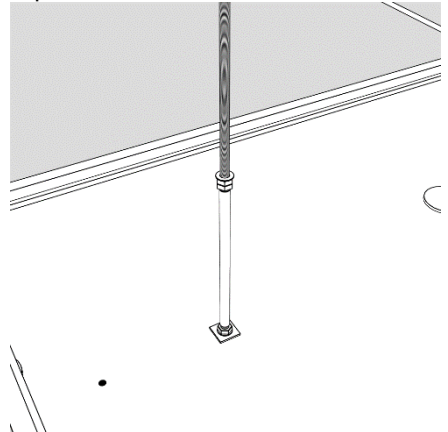
Step 10



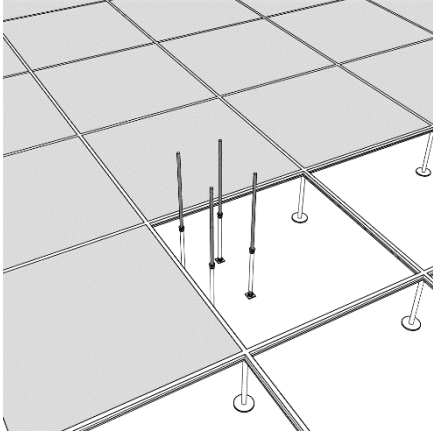
Step 11



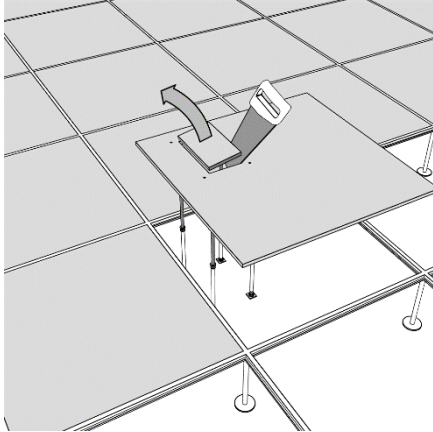
Step 12



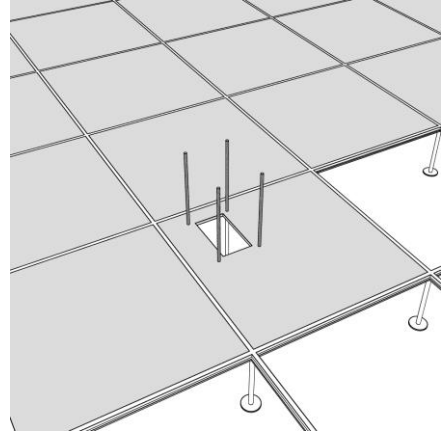
Step 13



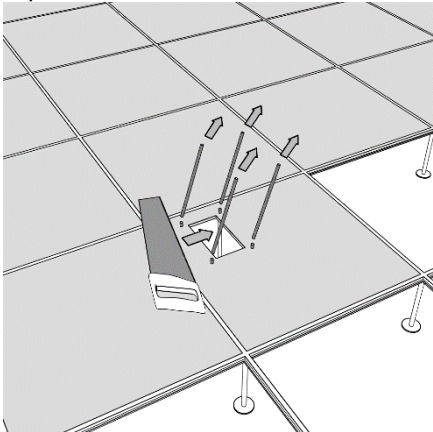
Step 14



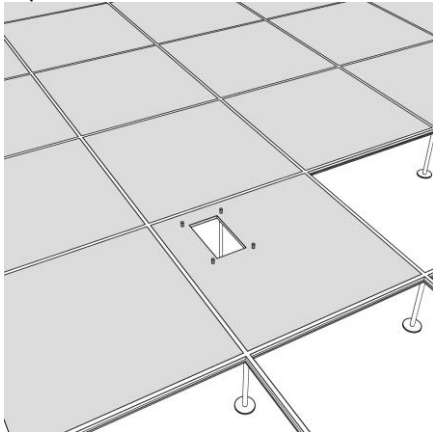
Step 15



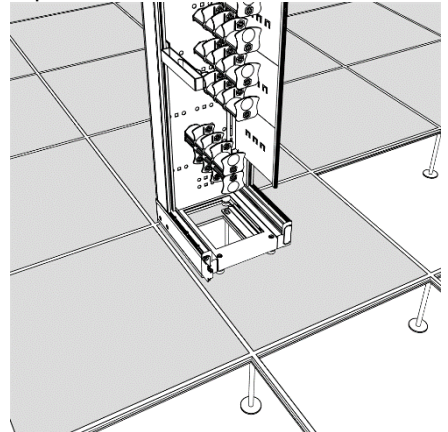
Step 16



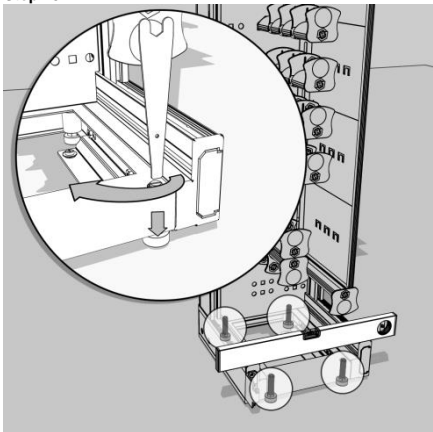
Step 17



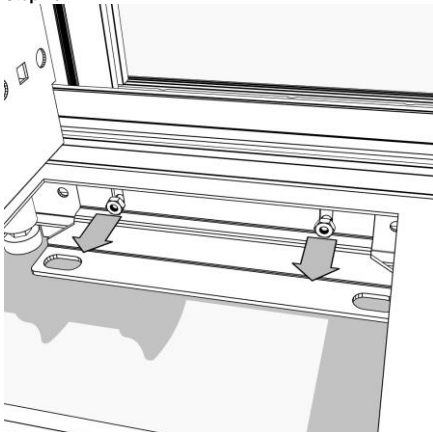
Step 18



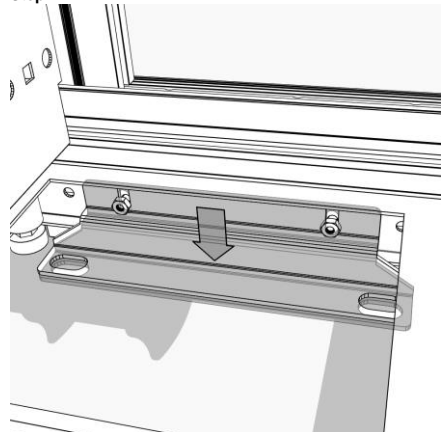
Step 19

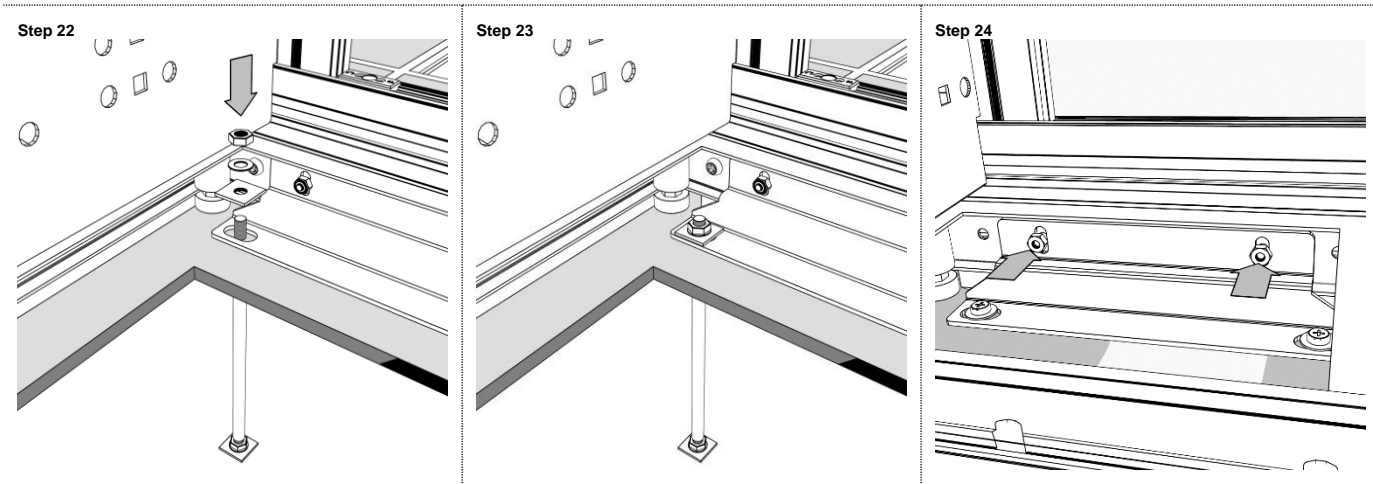


Step 20

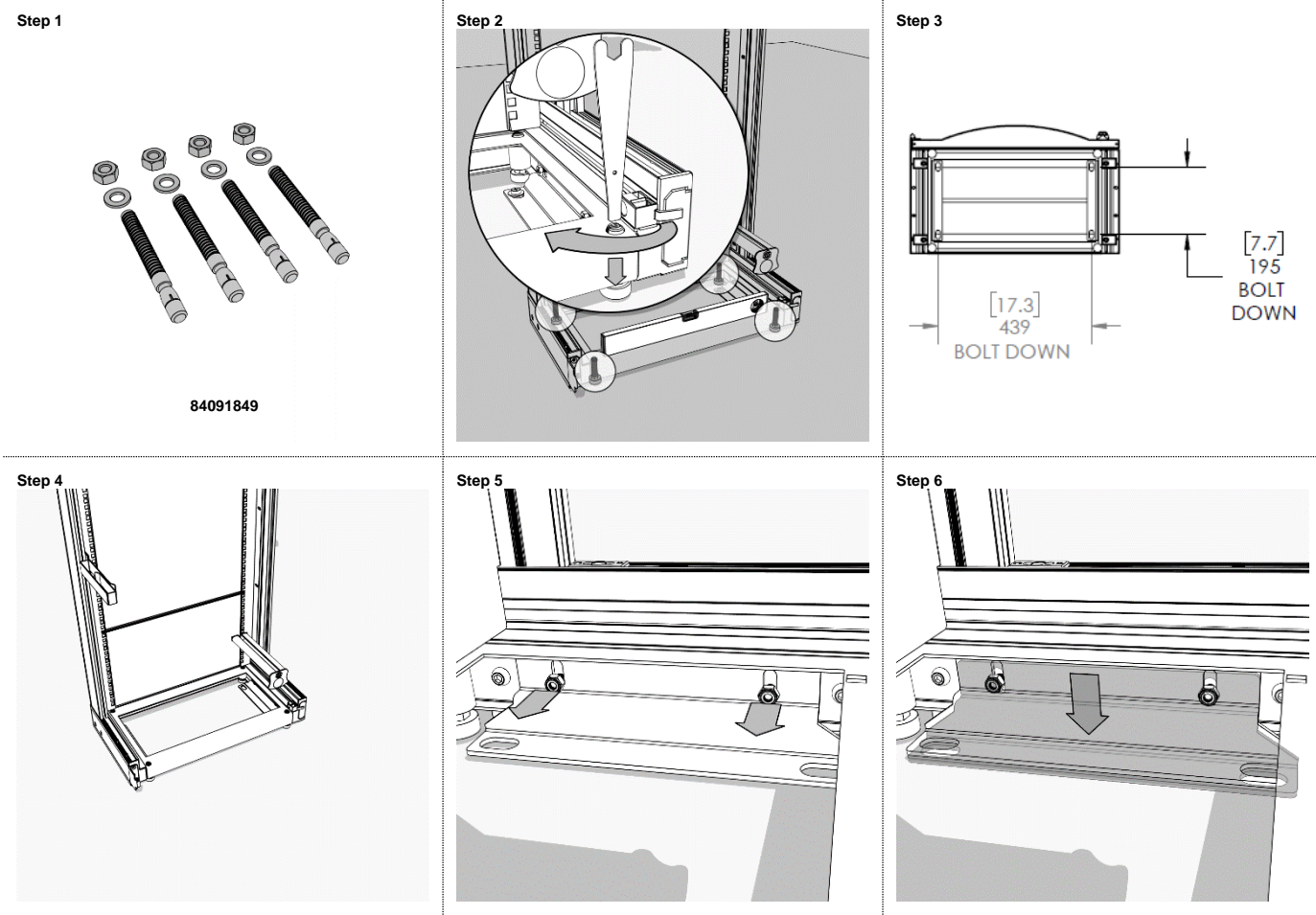


Step 21



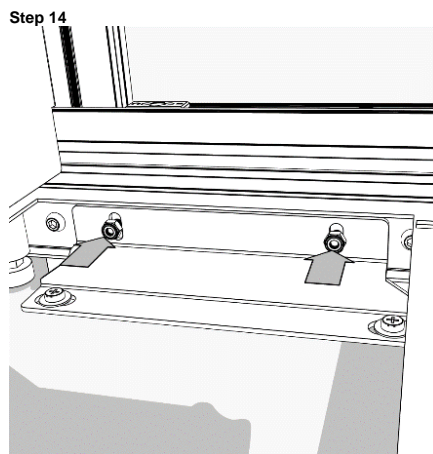
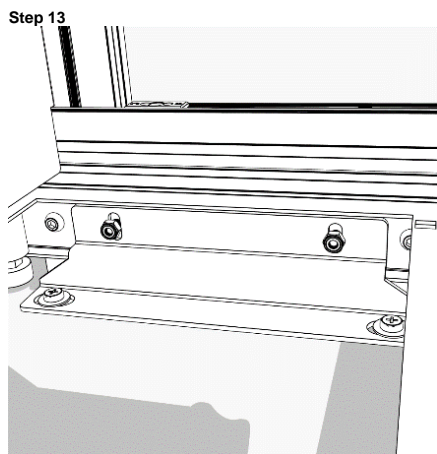
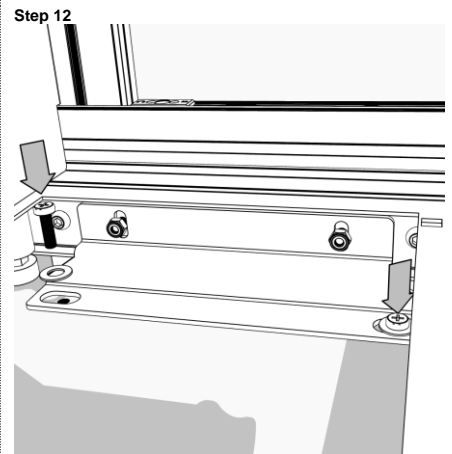
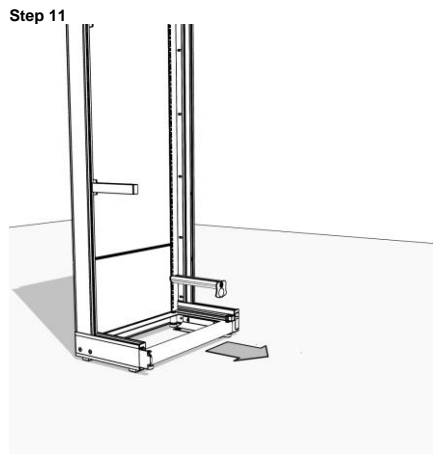
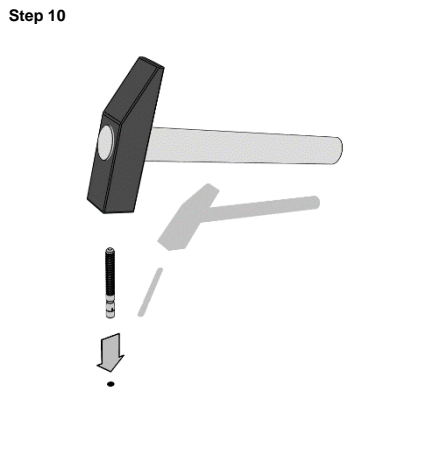
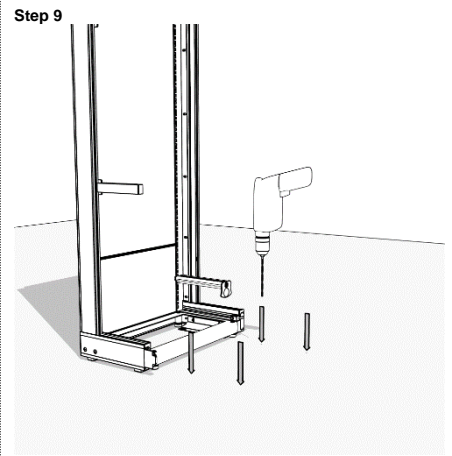
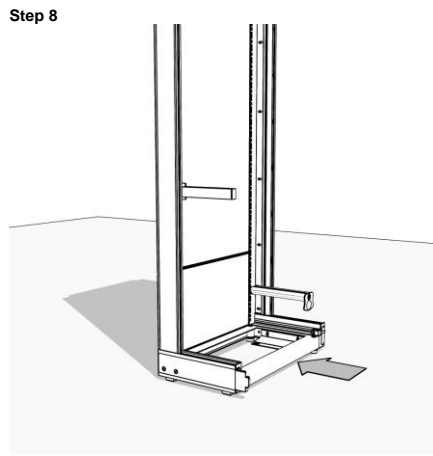
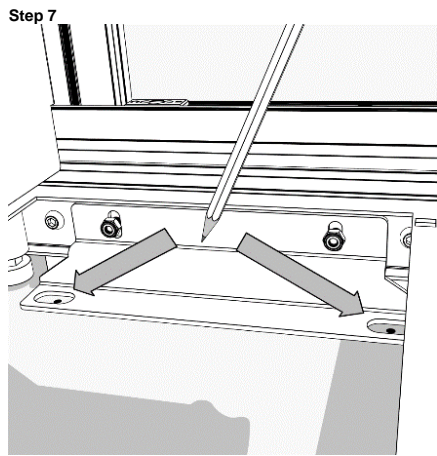


### MOUNTING OF CDR600 ON A FIXED FLOOR – CONCRETE FIXATION



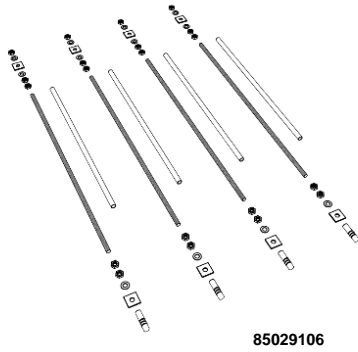
HUBER+SUHNER disclaims any liability resulting from incorrect installation and use, including any damages resulting from the use of tools and accessories other than the ones recommended herein. Any installation performed by unqualified personnel voids the product warranty provided by HUBER+SUHNER. All due care and attention must be exercised when performing the installation of these products. For advice concerning the general handling of these products please contact HUBER+SUHNER.



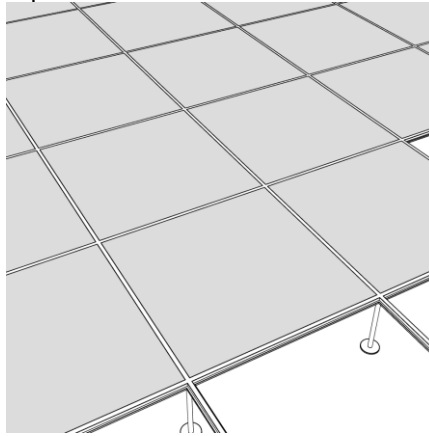


**MOUNTING OF CDR600 ON A RAISED FLOOR**

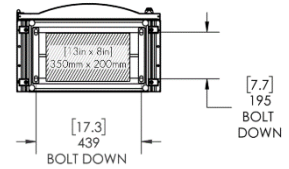
**Step 1**



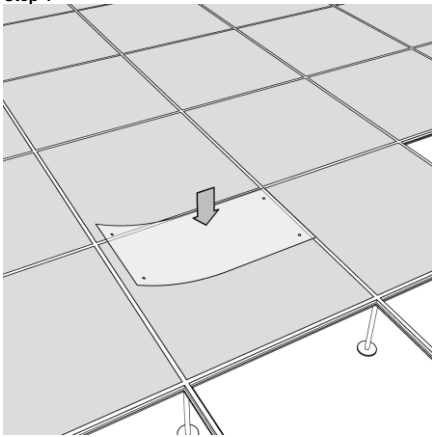
**Step 2**



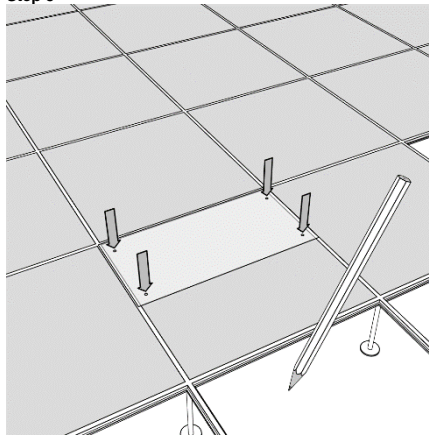
**Step 3**



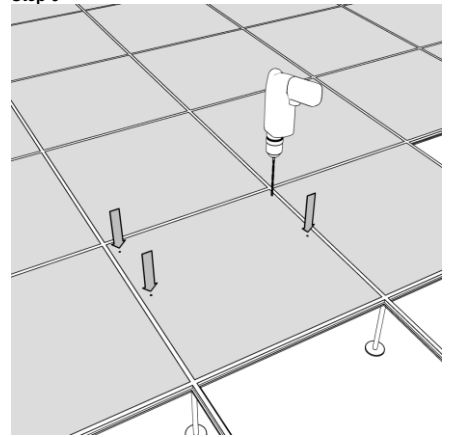
**Step 4**



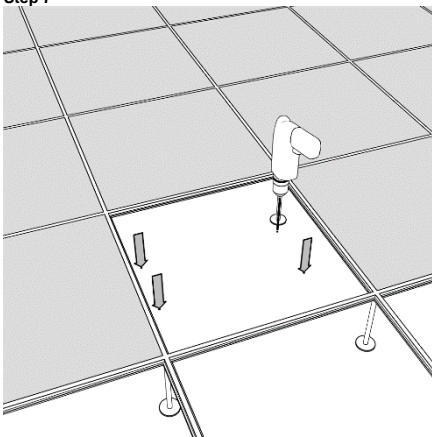
**Step 5**



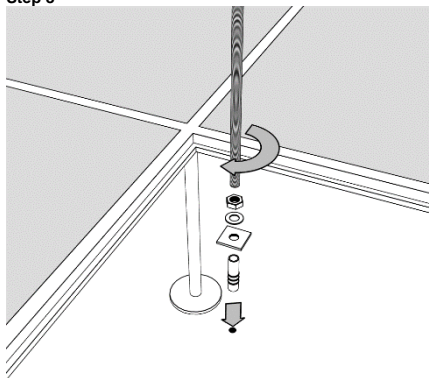
**Step 6**



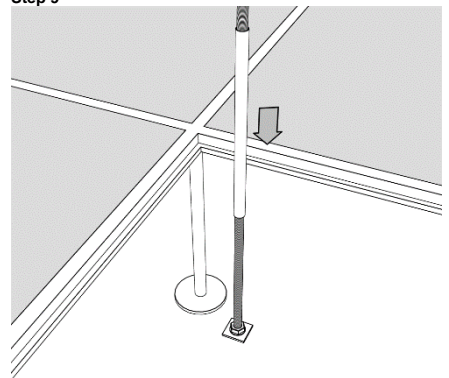
**Step 7**



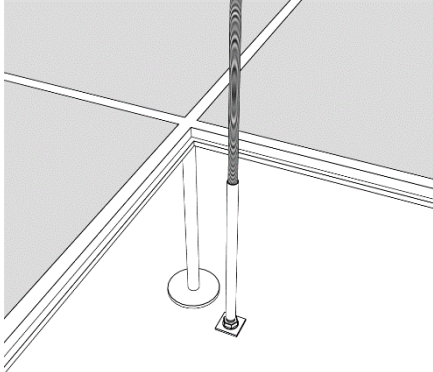
**Step 8**



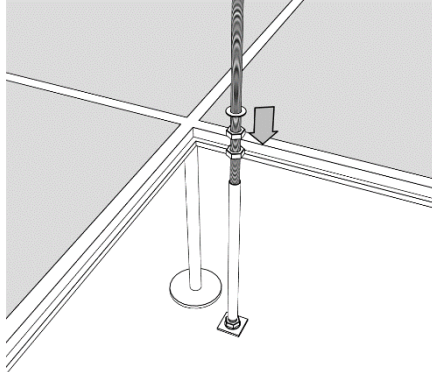
**Step 9**



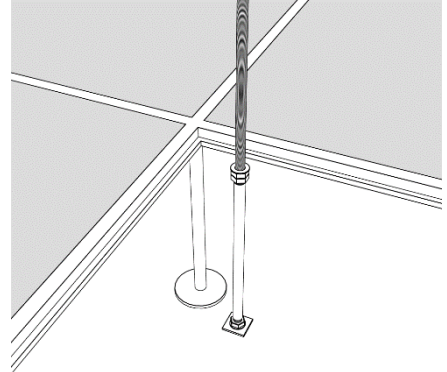
Step 10



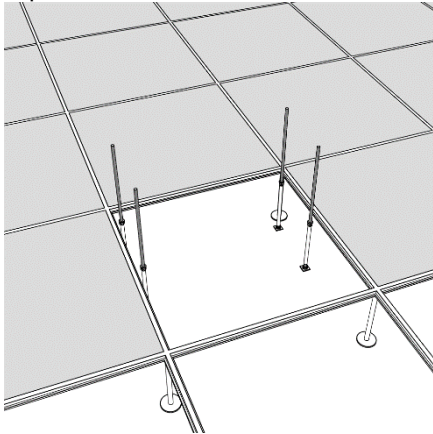
Step 11



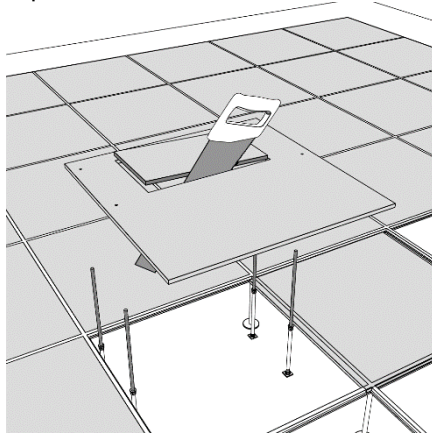
Step 12



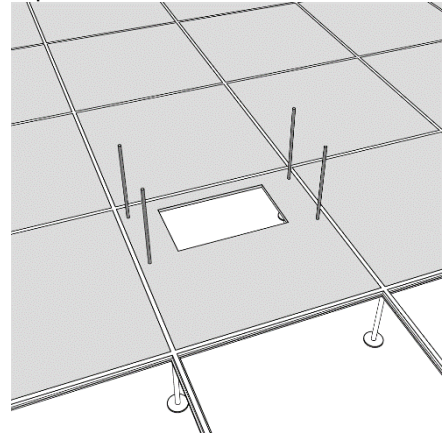
Step 13



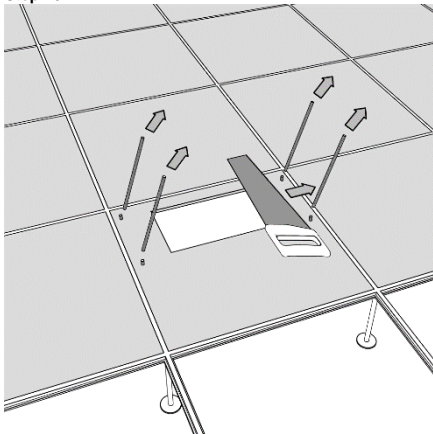
Step 14



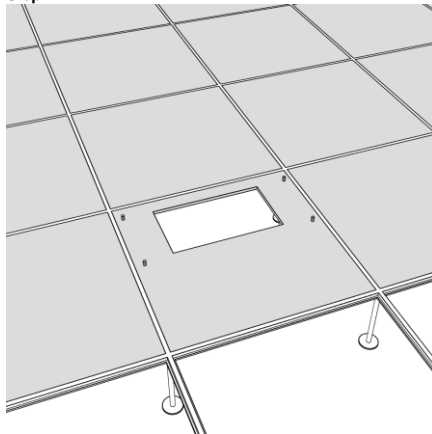
Step 15



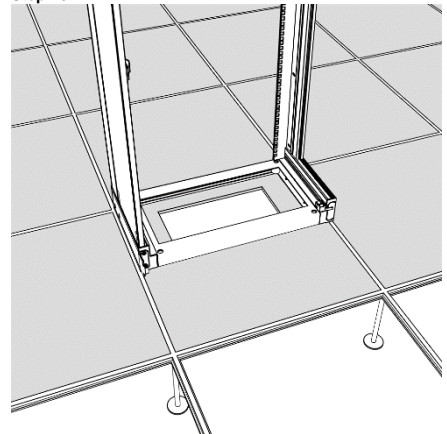
Step 16



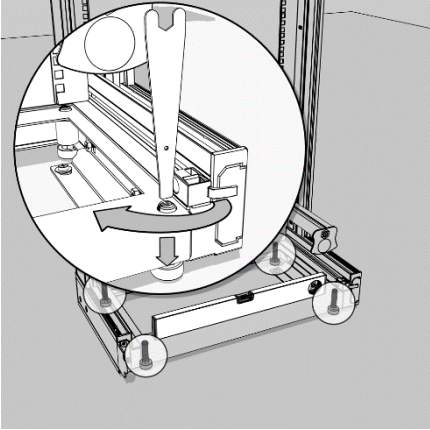
Step 17



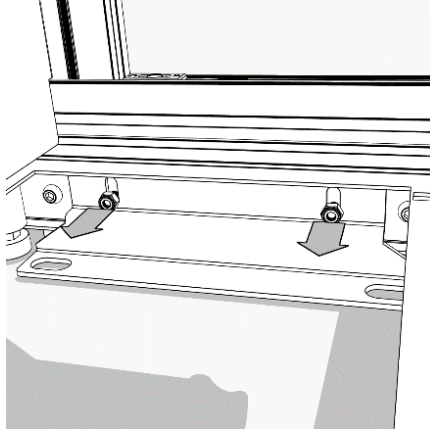
Step 18



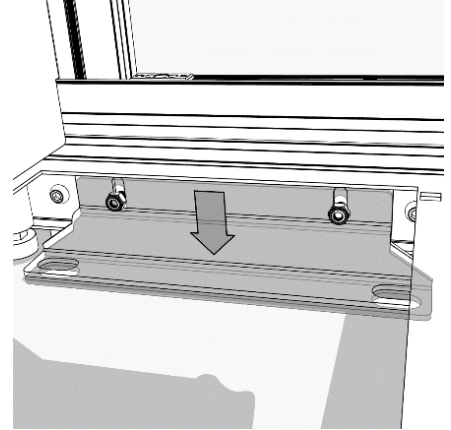
Step 19



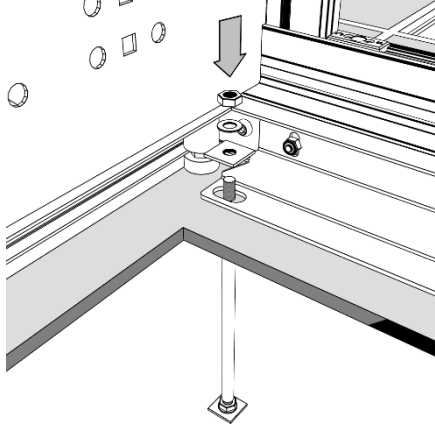
Step 20



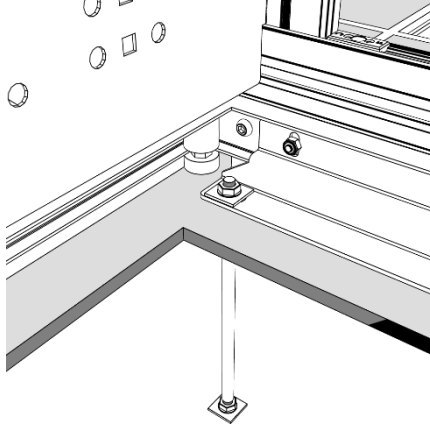
Step 21



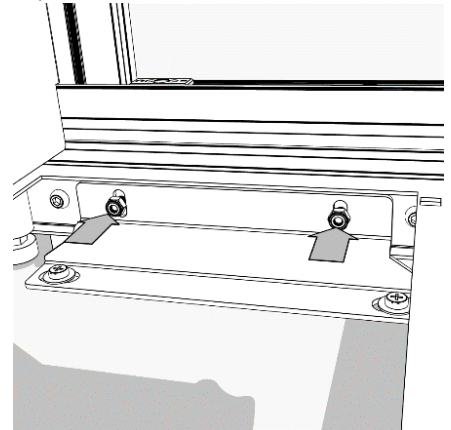
Step 22



Step 23

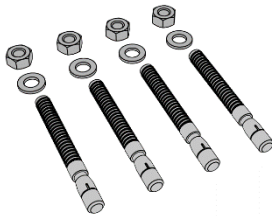


Step 24



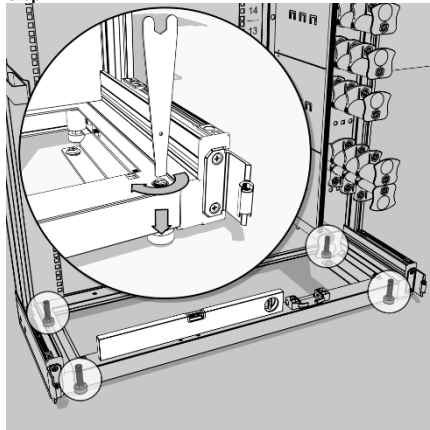
**MOUNTING OF CDR900 ON A FIXED FLOOR – CONCRETE FIXATION**

Step 1

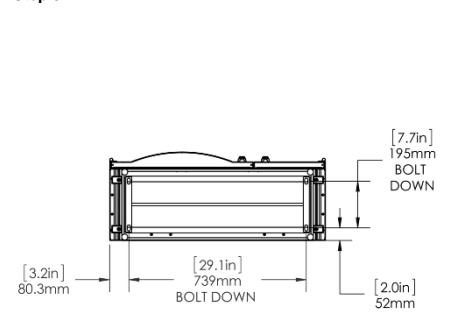


84091849

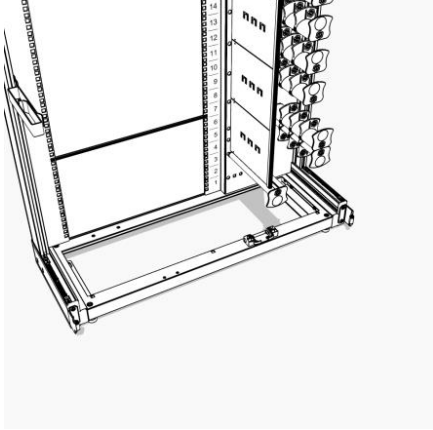
Step 2



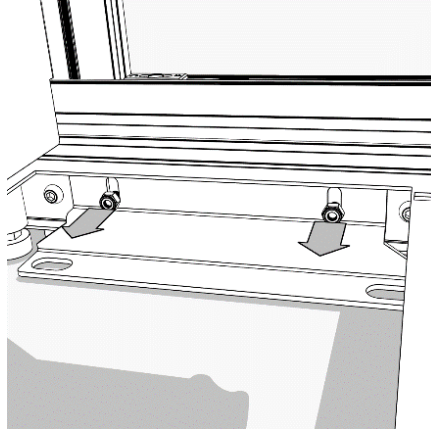
Step 3



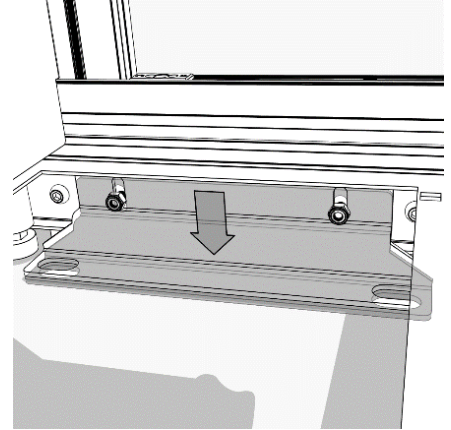
Step 4



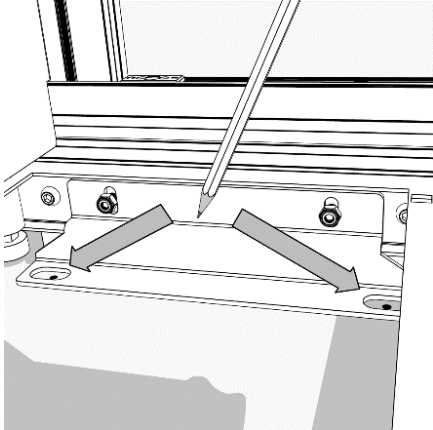
Step 5



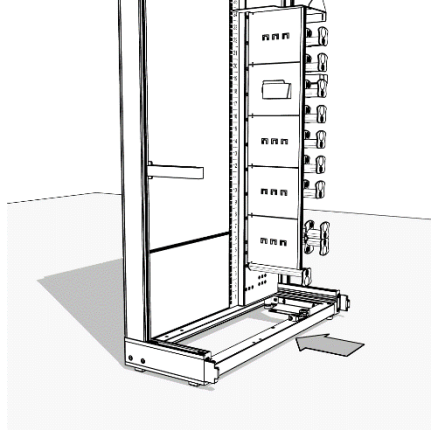
Step 6



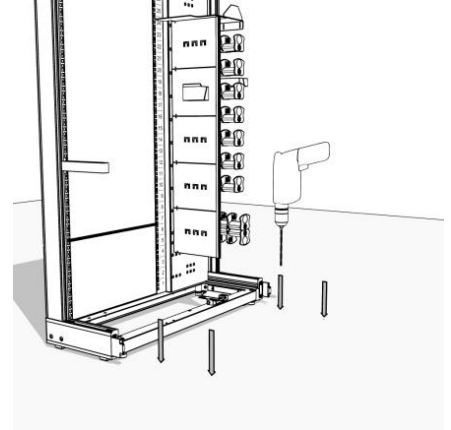
Step 7



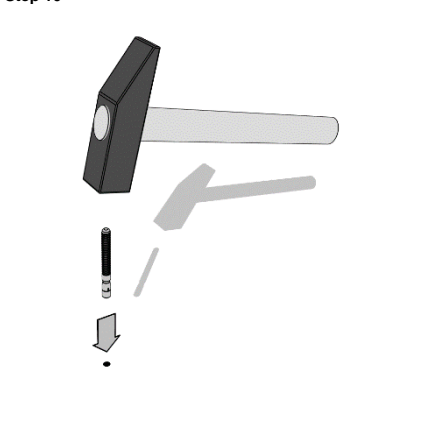
Step 8



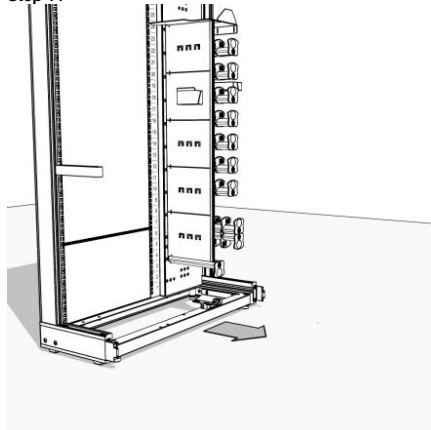
Step 9



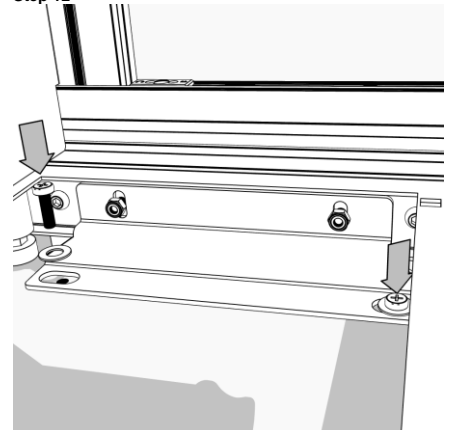
Step 10

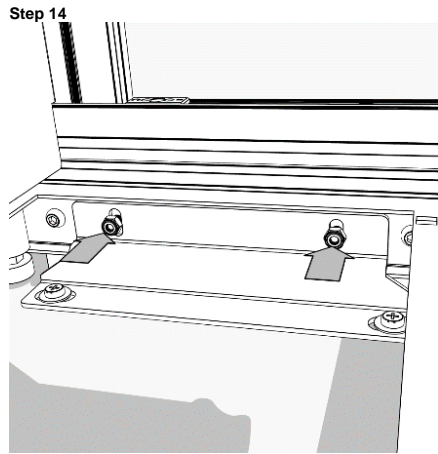
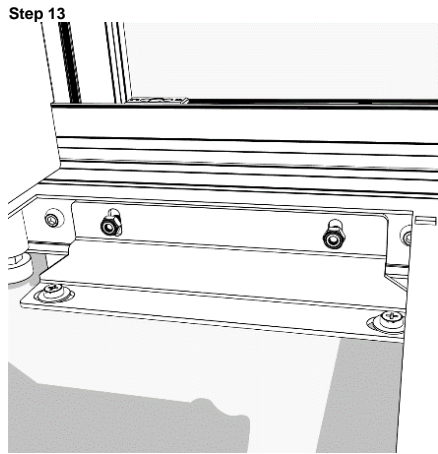


Step 11

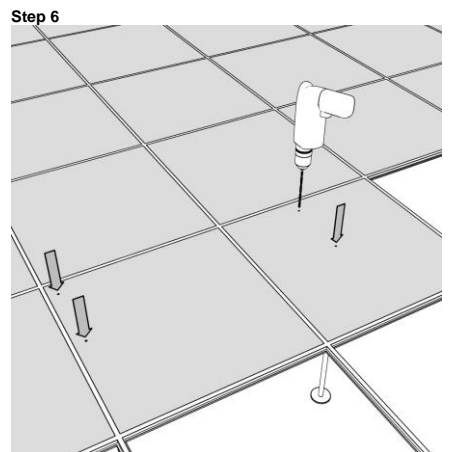
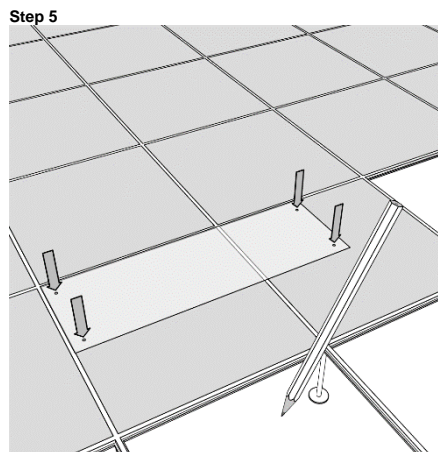
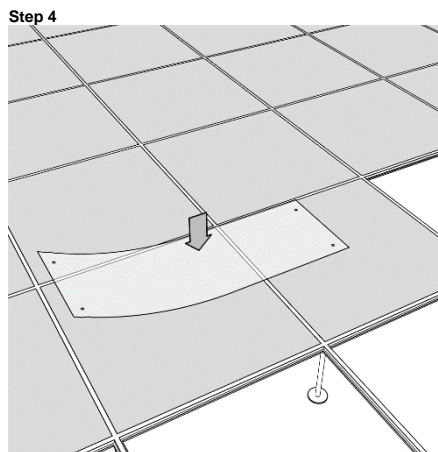
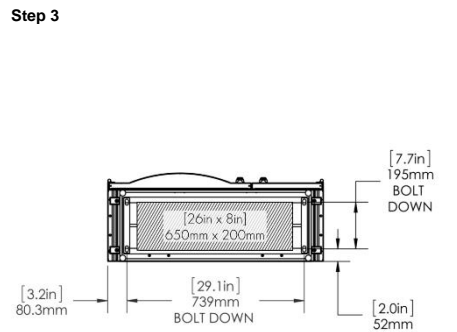
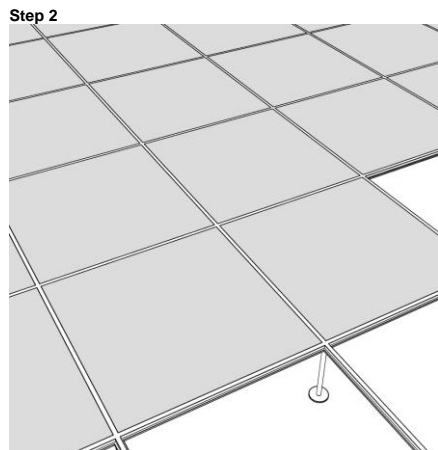
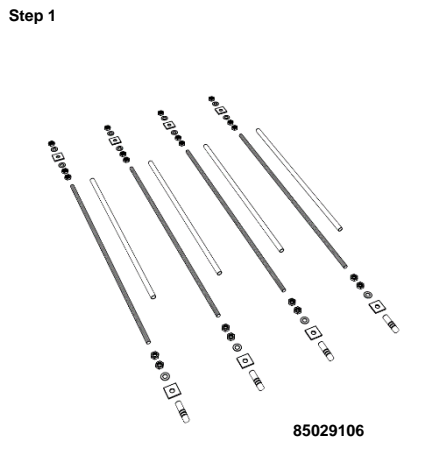


Step 12

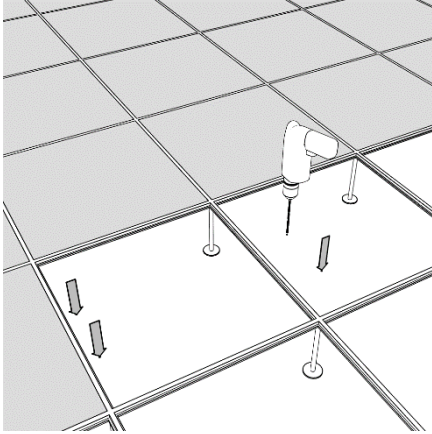




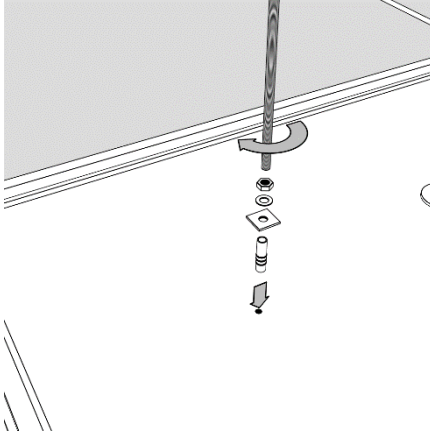
**MOUNTING OF CDR900 ON A RAISED FLOOR**



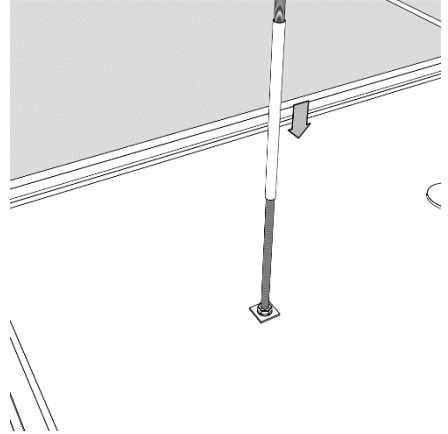
Step 7



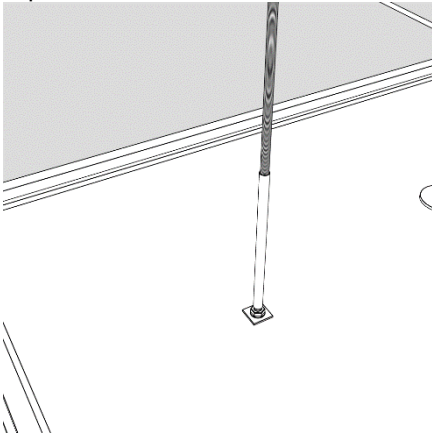
Step 8



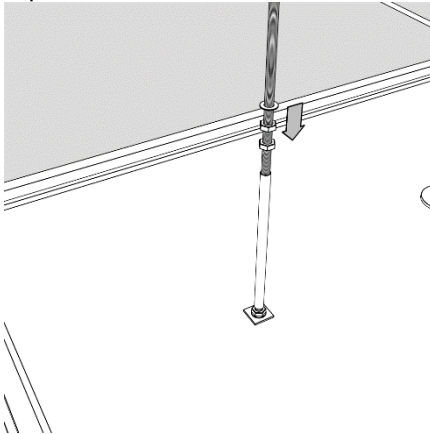
Step 9



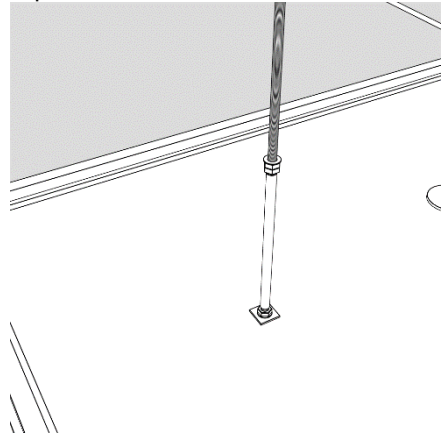
Step 10



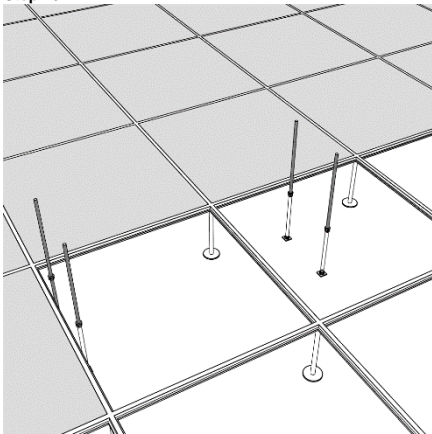
Step 11



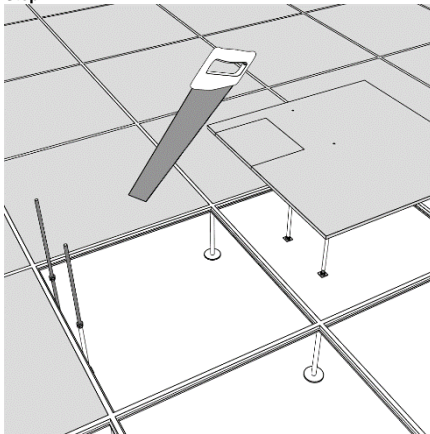
Step 12



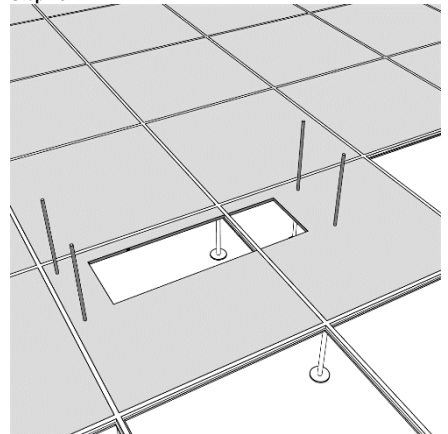
Step 13



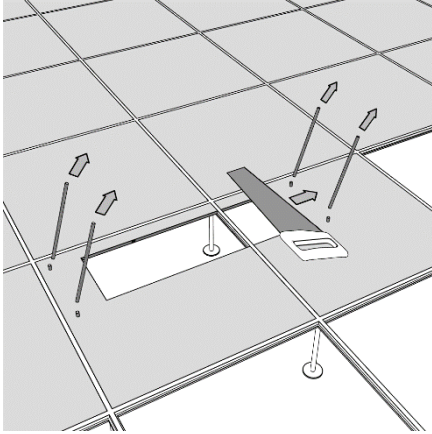
Step 14



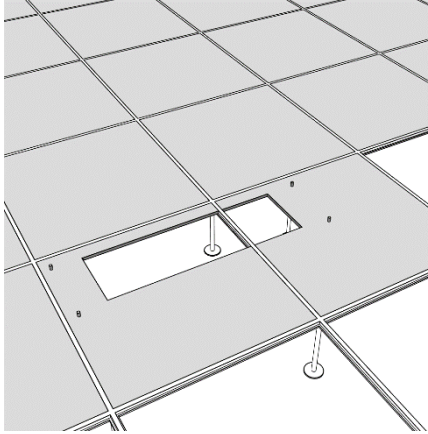
Step 15



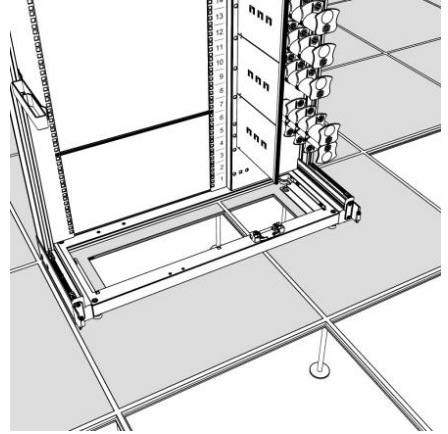
Step 16



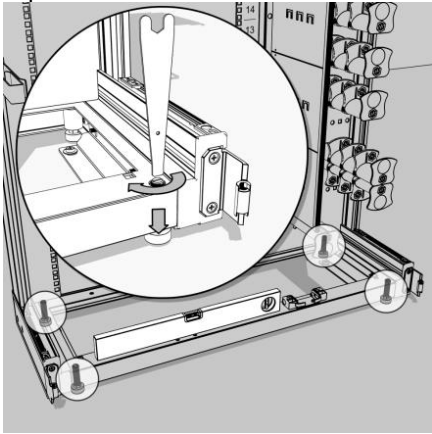
Step 17



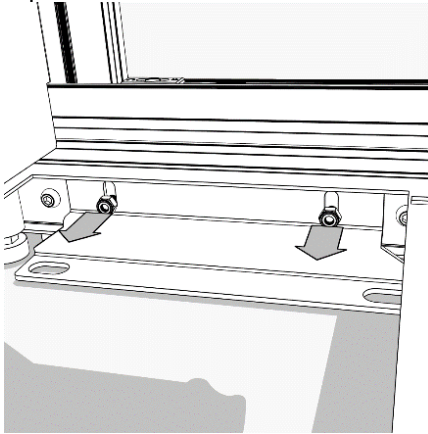
Step 18



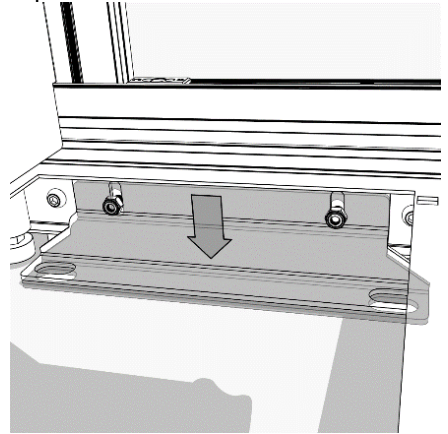
Step 19



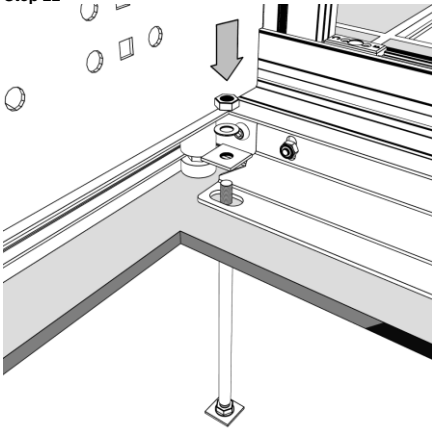
Step 20



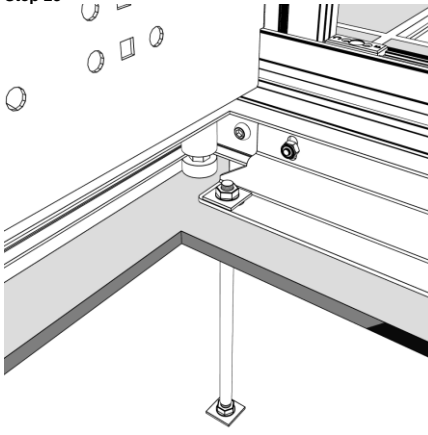
Step 21



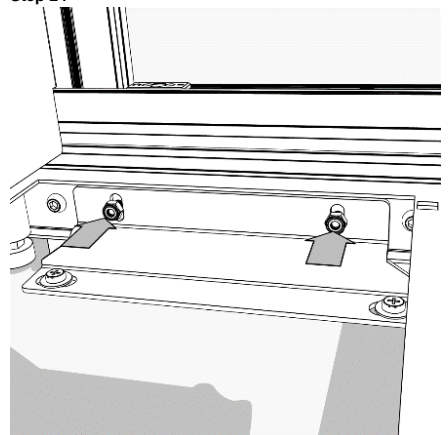
Step 22



Step 23



Step 24





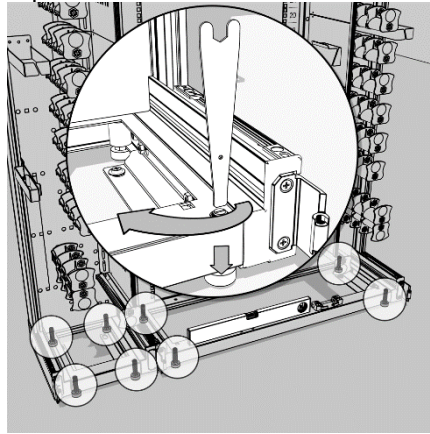
**MOUNTING OF CDR1200 ON A FIXED FLOOR – CONCRETE FIXATION**

**Step 1**

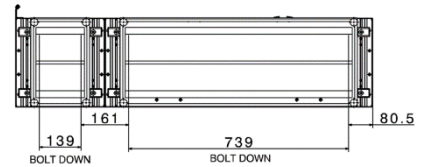


2x 84091849

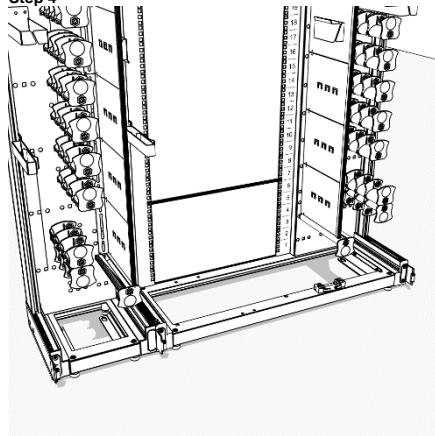
**Step 2**



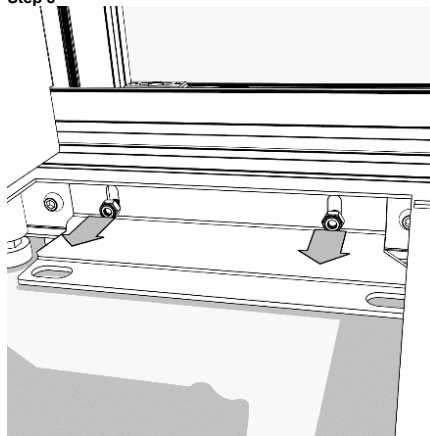
**Step 3**



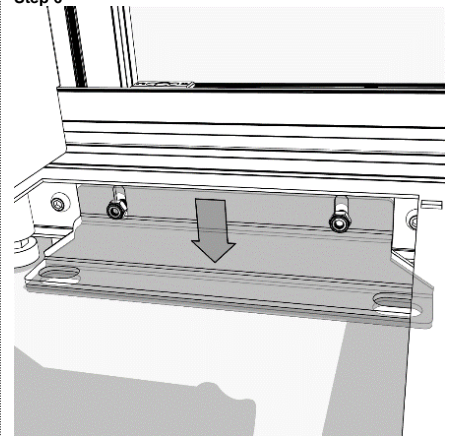
**Step 4**



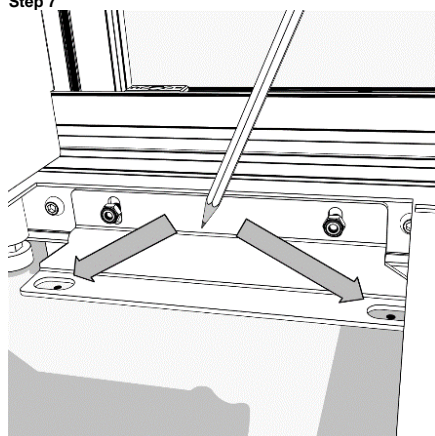
**Step 5**



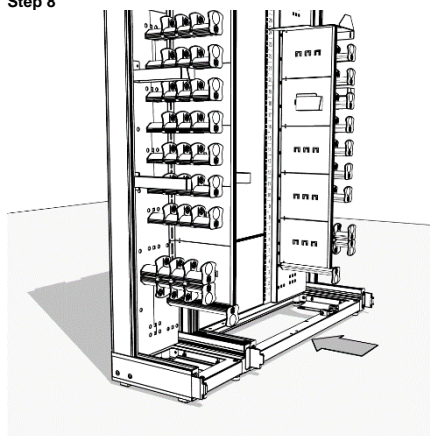
**Step 6**



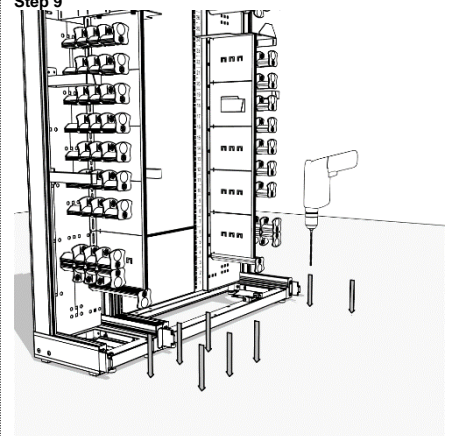
**Step 7**



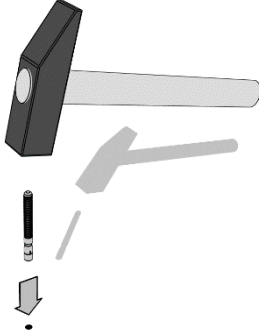
**Step 8**



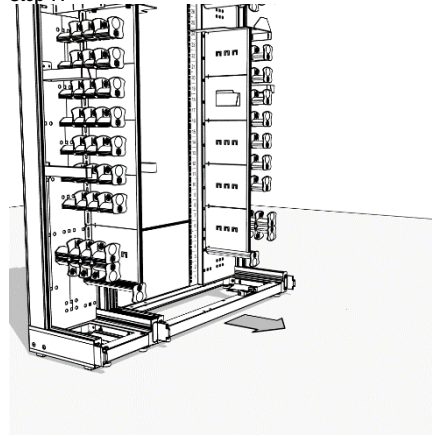
**Step 9**



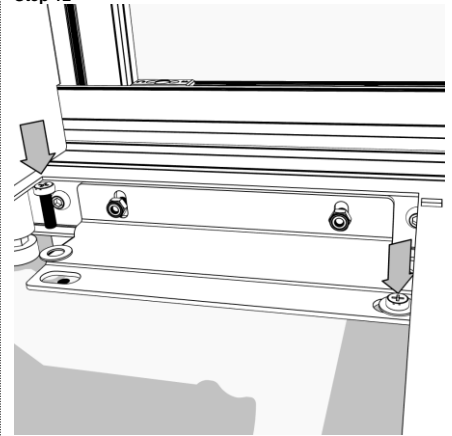
Step 10



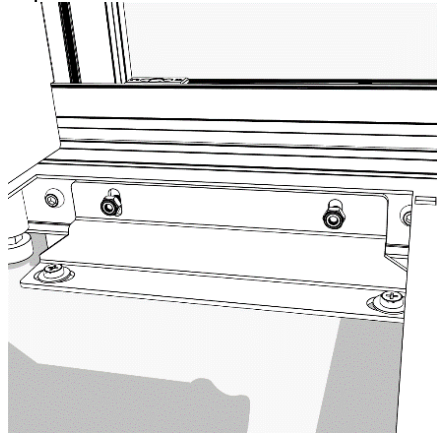
Step 11



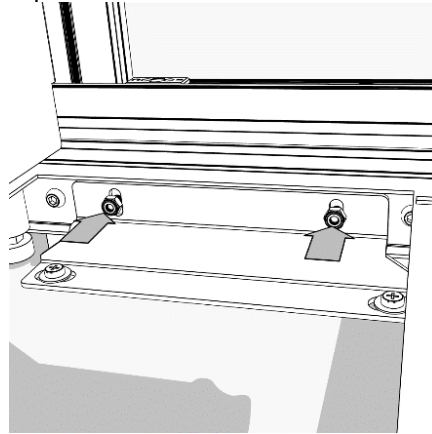
Step 12



Step 13



Step 14

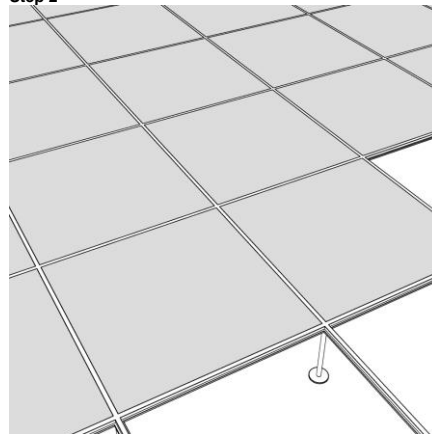


**MOUNTING OF CDR1200 ON A RAISED FLOOR**

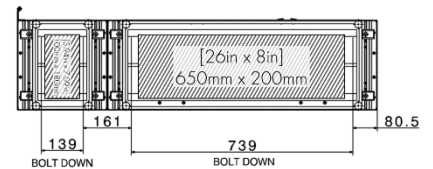
Step 1

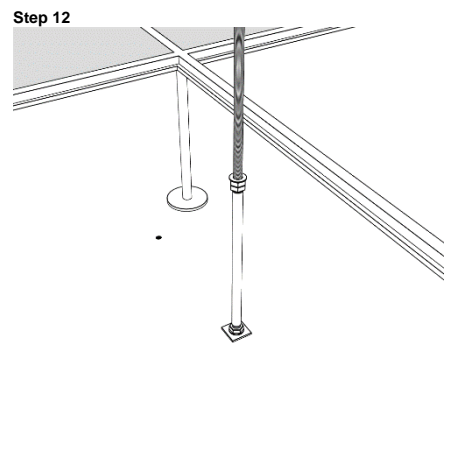
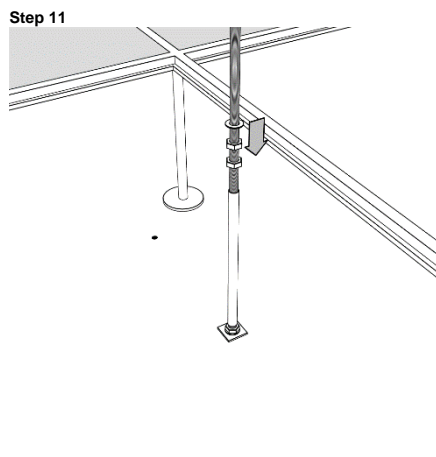
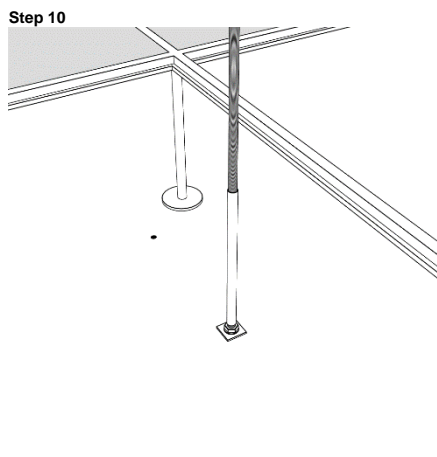
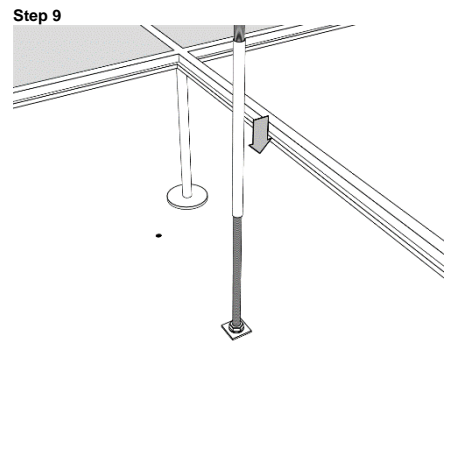
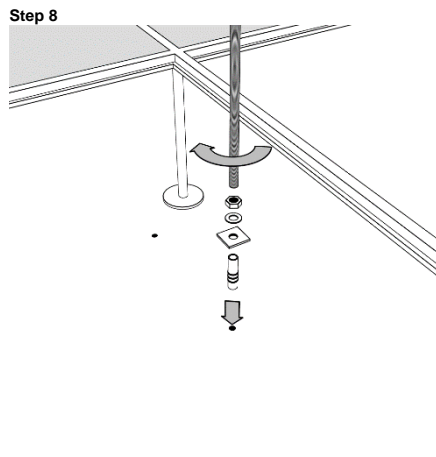
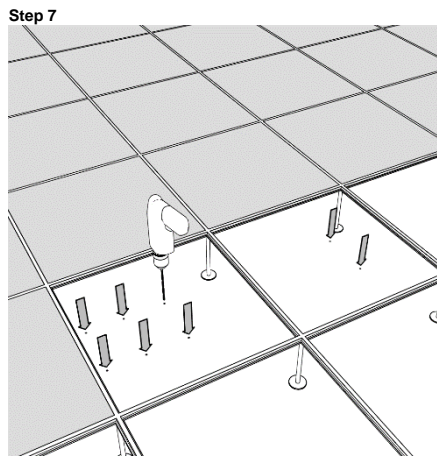
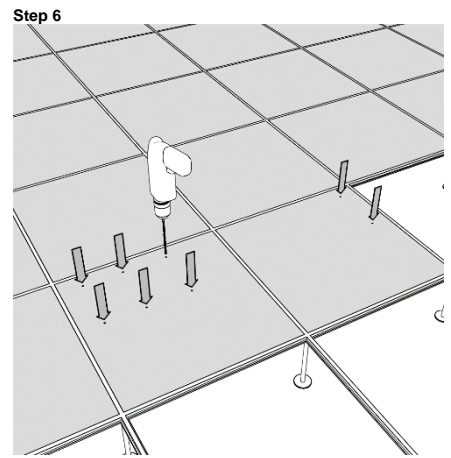
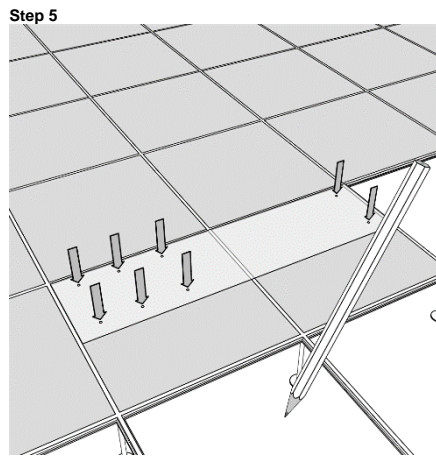
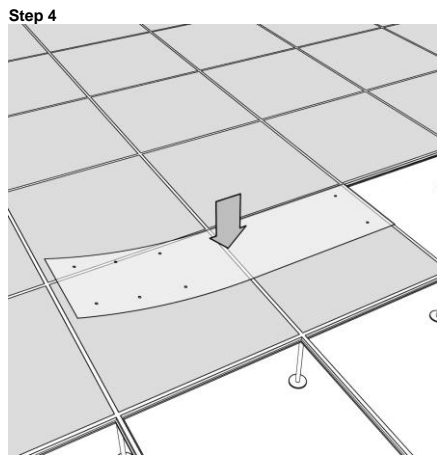


Step 2

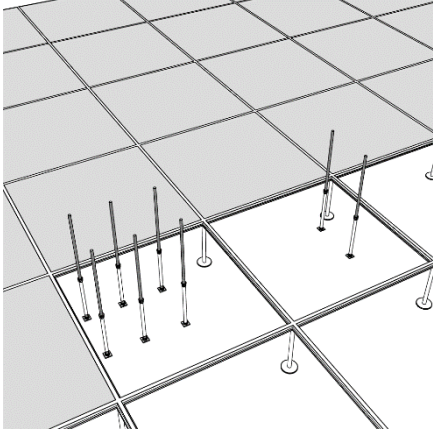


Step 3

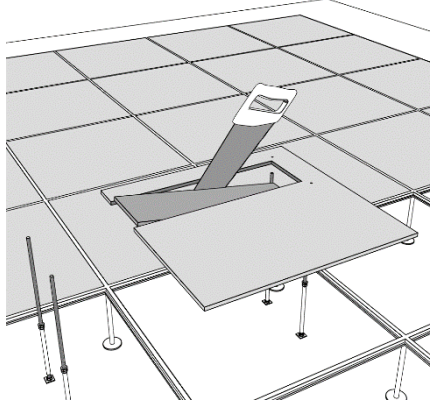




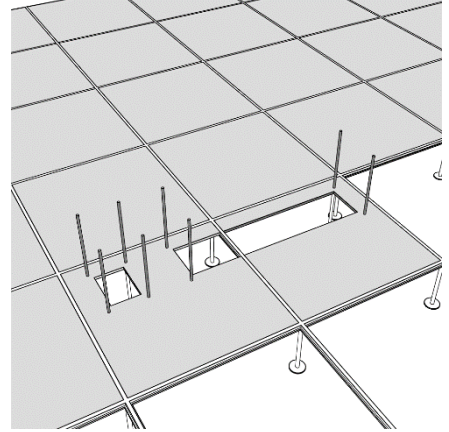
Step 13



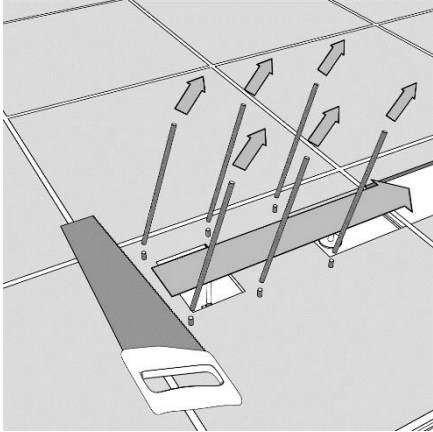
Step 14



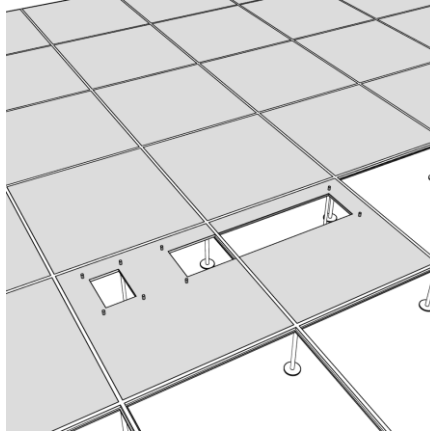
Step 15



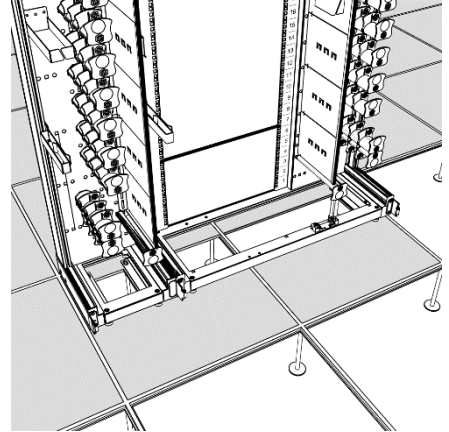
Step 16



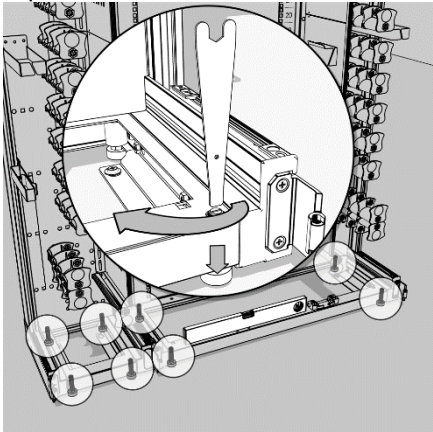
Step 17



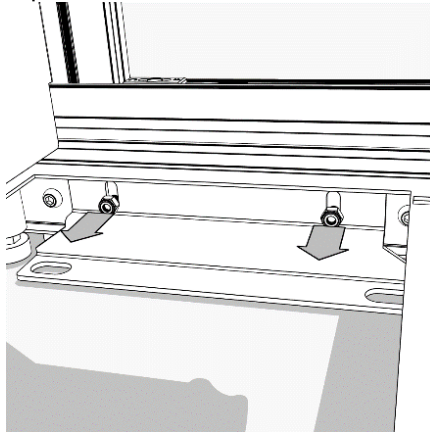
Step 18



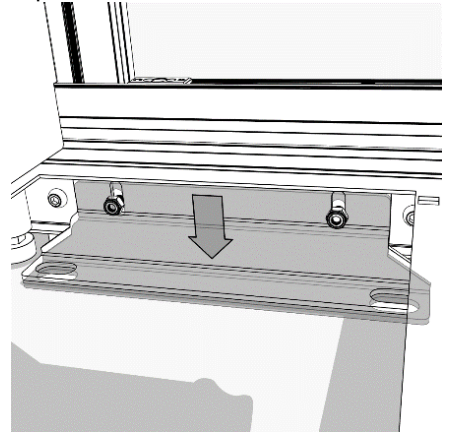
Step 19



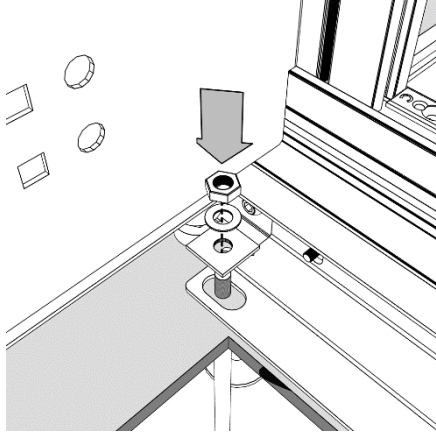
Step 20



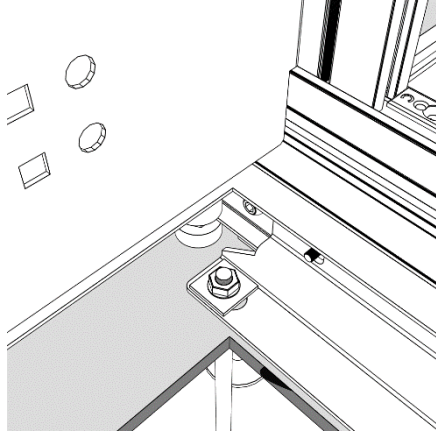
Step 21



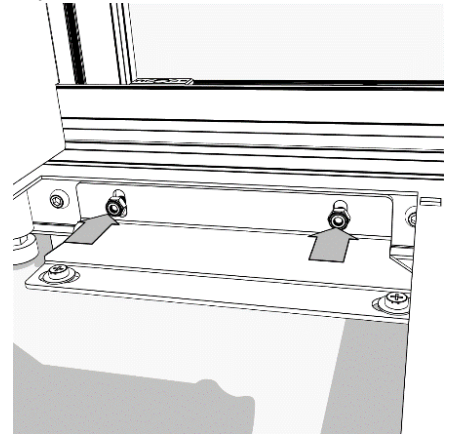
Step 22



Step 23

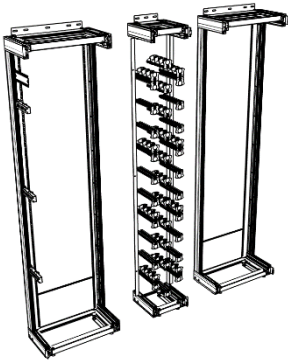


Step 24

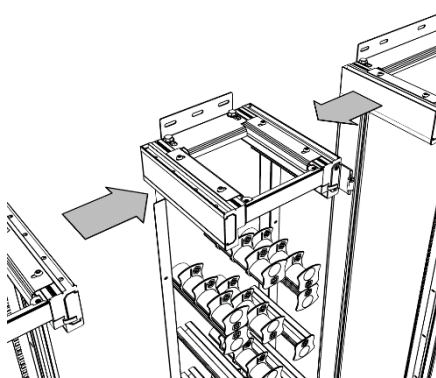


### ASSEMBLY OF CDR1500

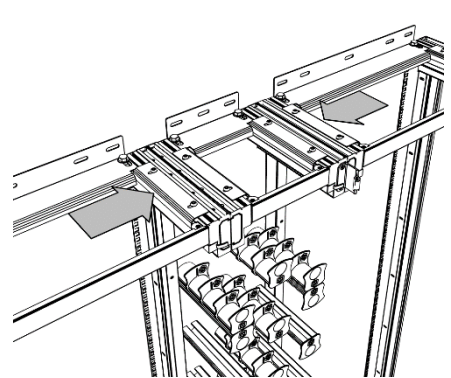
Step 1



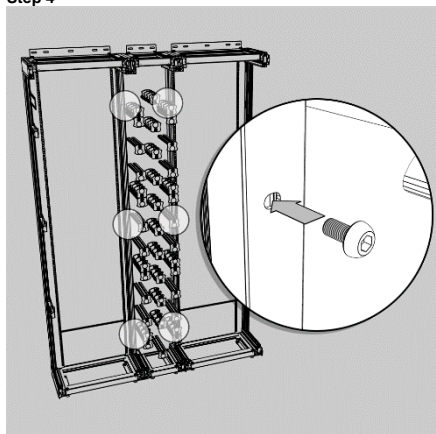
Step 2



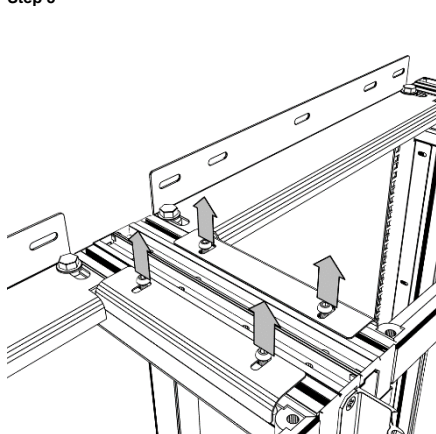
Step 3



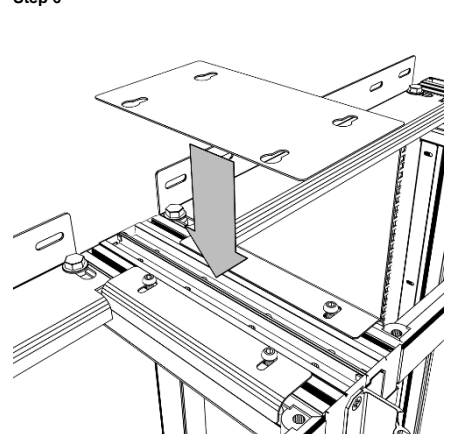
Step 4



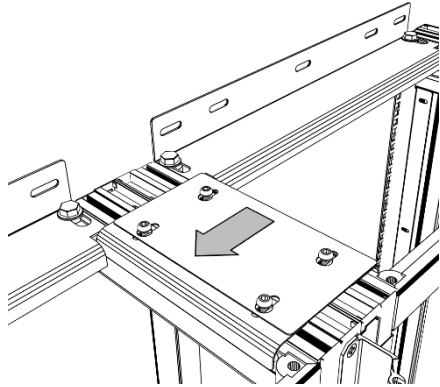
Step 5



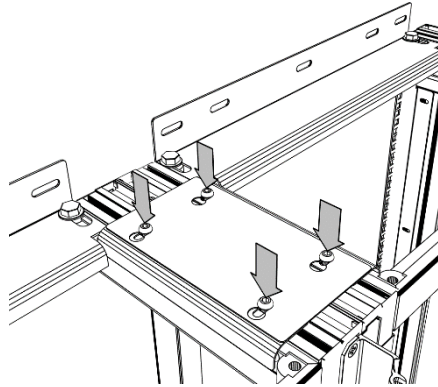
Step 6



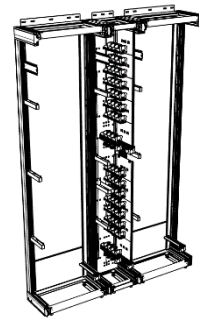
Step 7



Step 8



Step 9



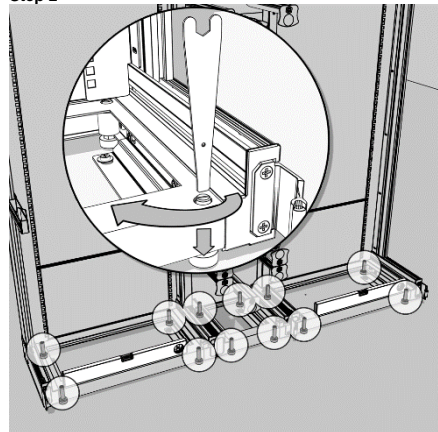
**MOUNTING OF CDR1500 ON A FIXED FLOOR– CONCRETE FIXATION**

Step 1

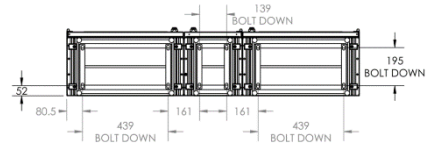


2x 84091849

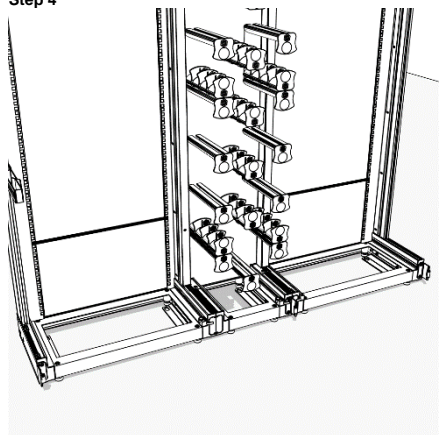
Step 2



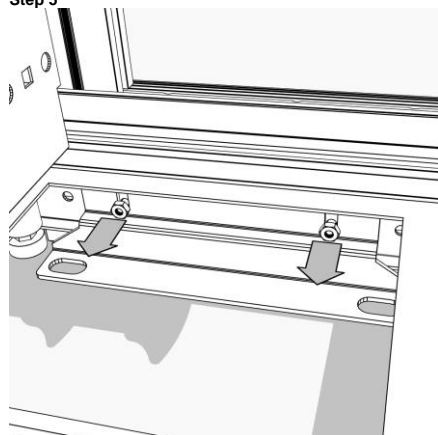
Step 3



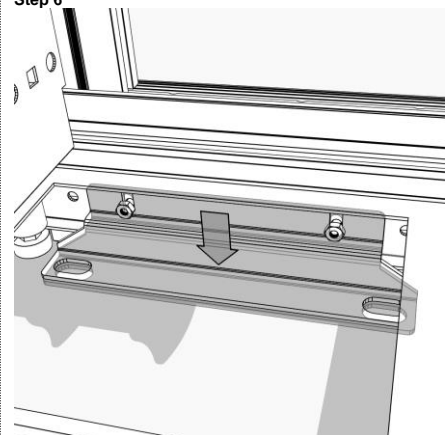
Step 4



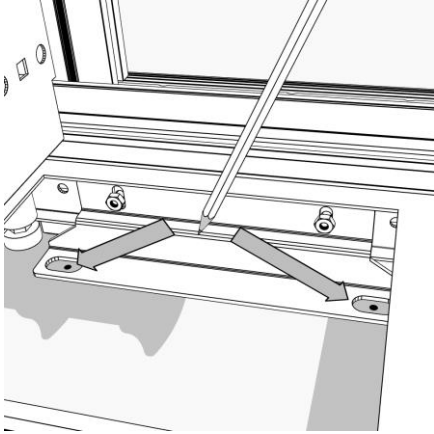
Step 5



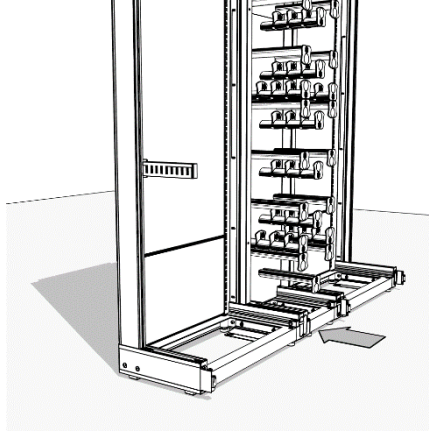
Step 6



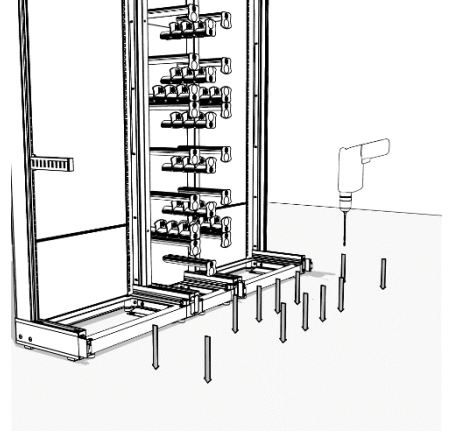
Step 7



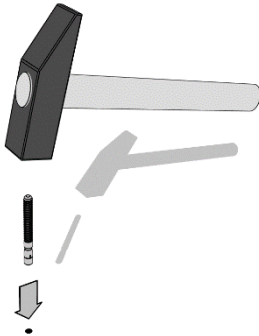
Step 8



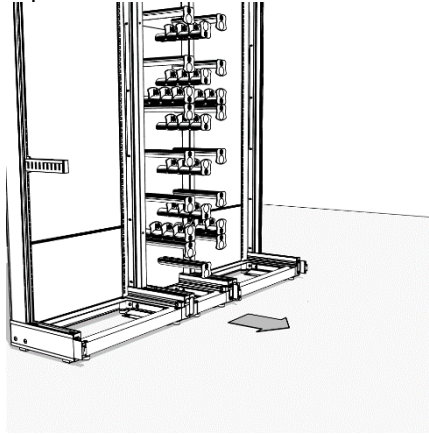
Step 9



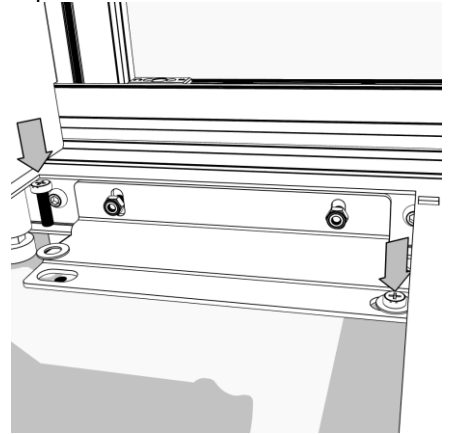
Step 10



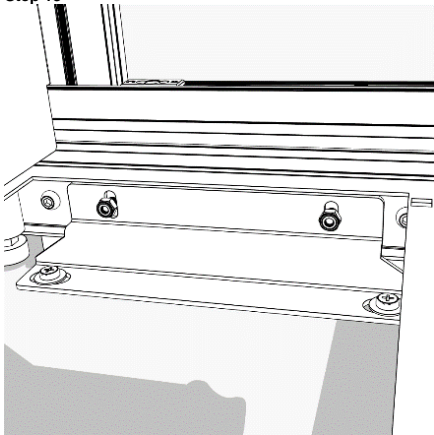
Step 11



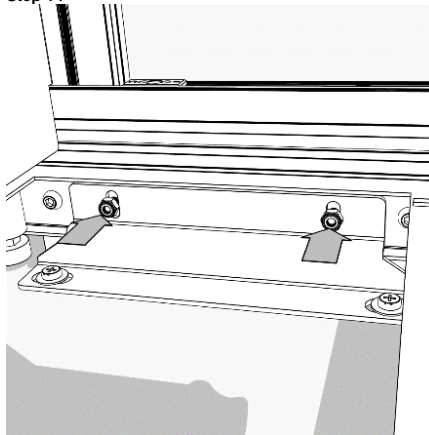
Step 12



Step 13



Step 14

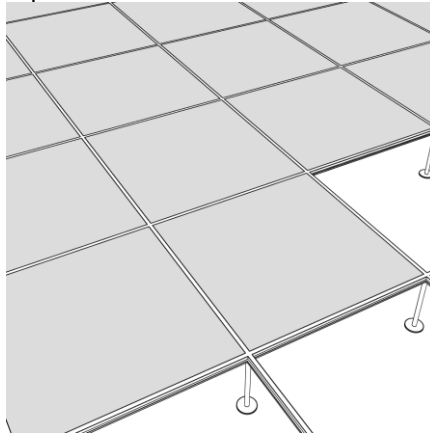


**MOUNTING OF CDR1500 ON A RAISED FLOOR**

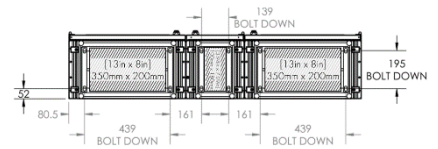
**Step 1**



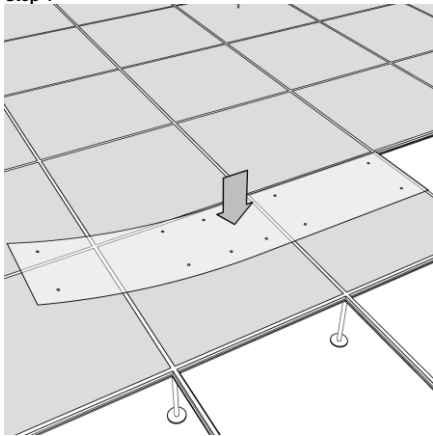
**Step 2**



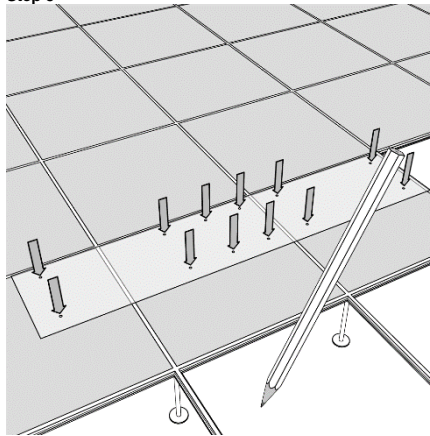
**Step 3**



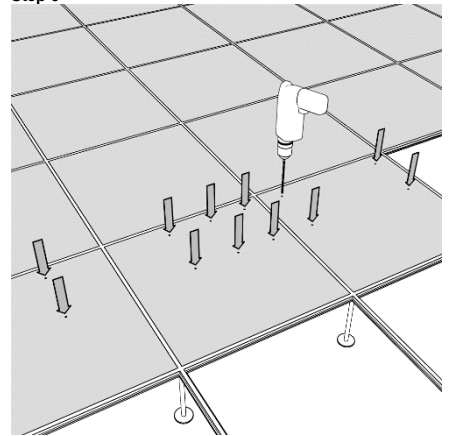
**Step 4**



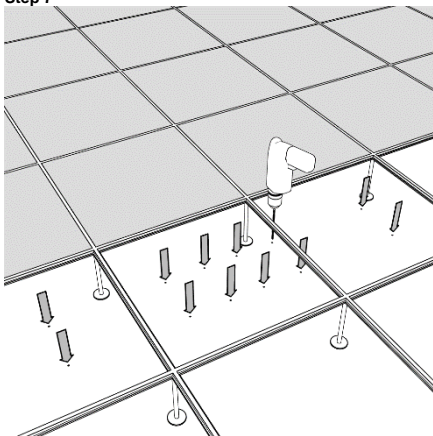
**Step 5**



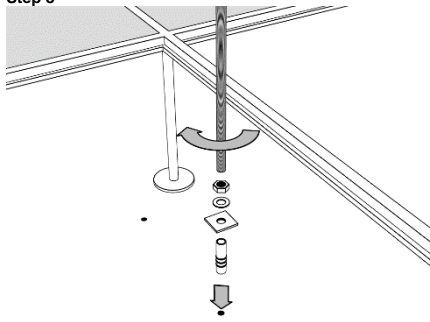
**Step 6**



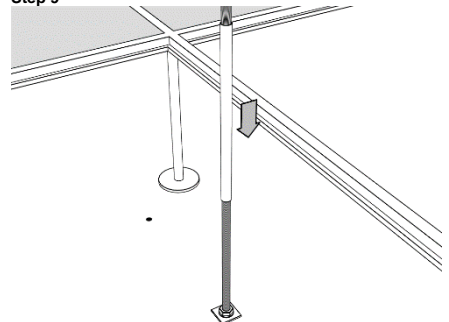
**Step 7**



**Step 8**

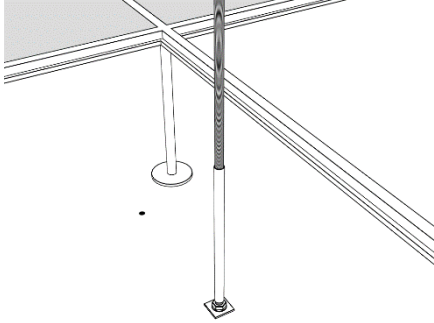


**Step 9**

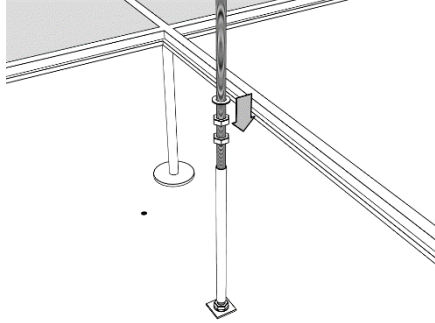




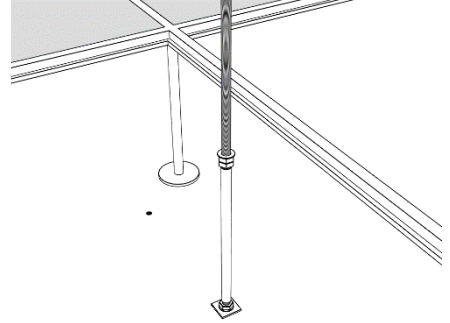
Step 10



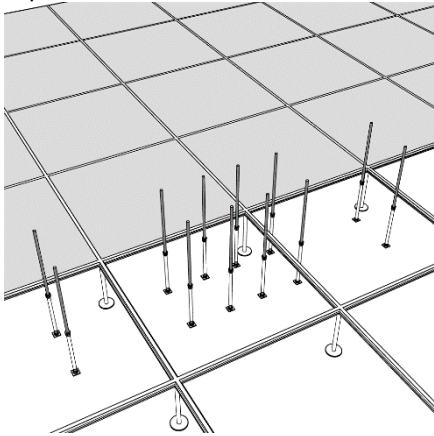
Step 11



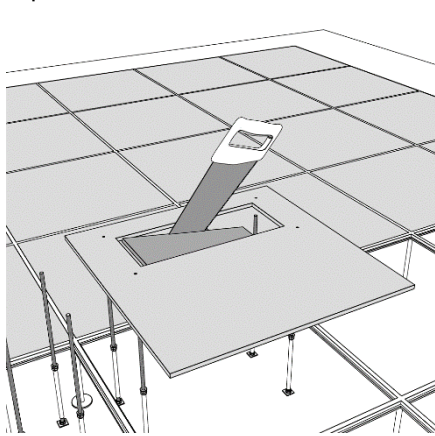
Step 12



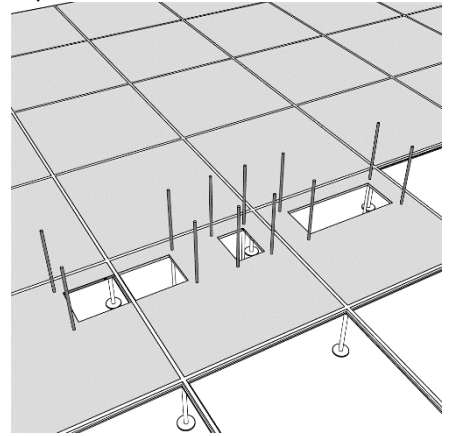
Step 13



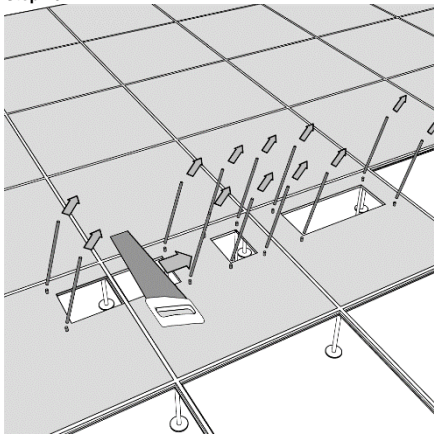
Step 14



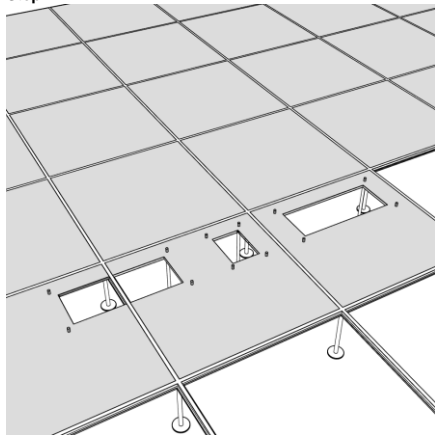
Step 15



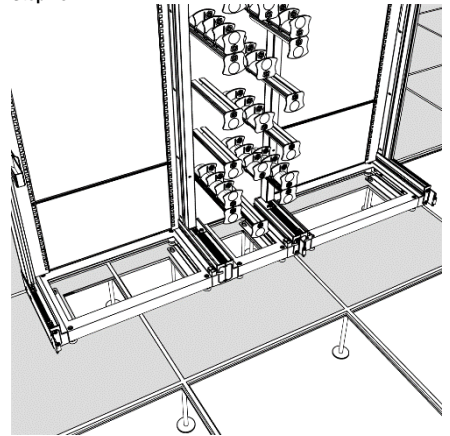
Step 16



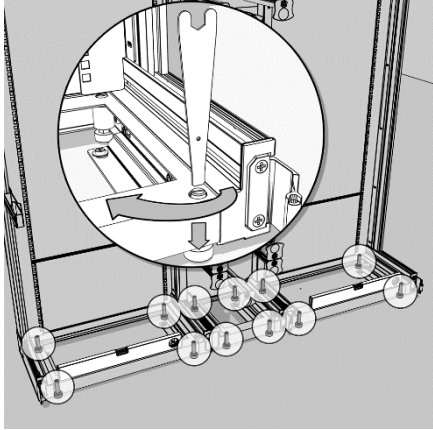
Step 17



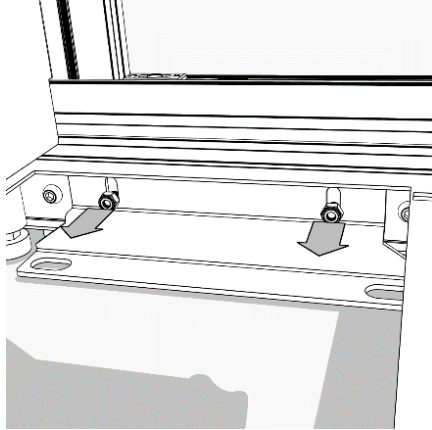
Step 18



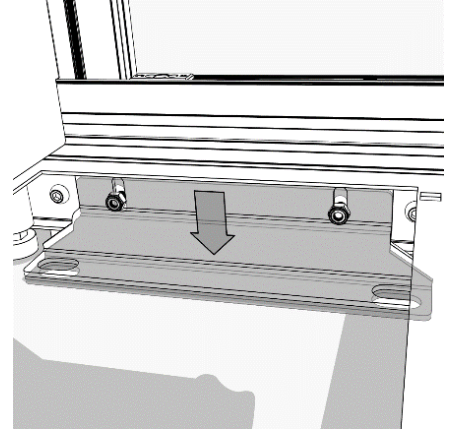
Step 19



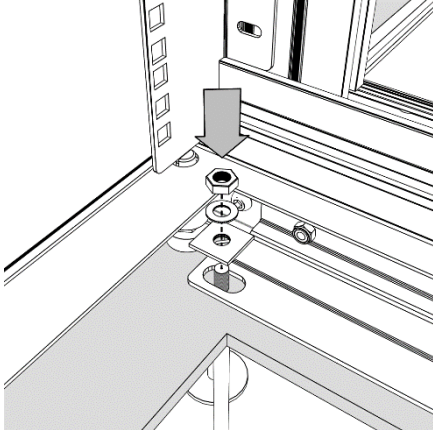
Step 20



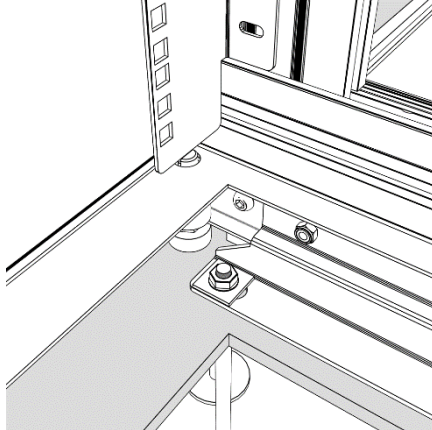
Step 21



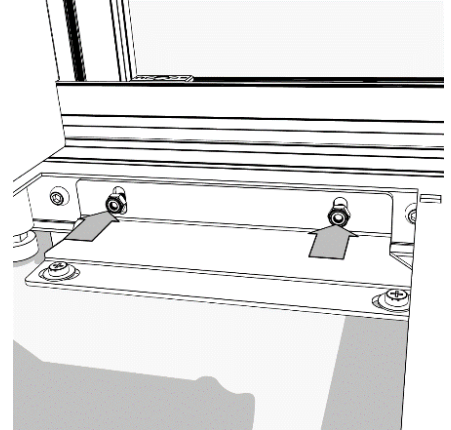
Step 22



Step 23

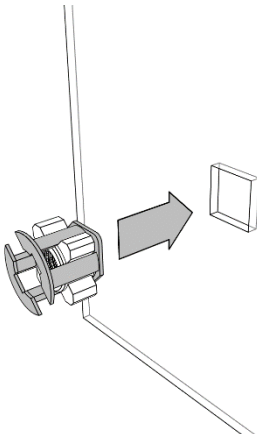


Step 24

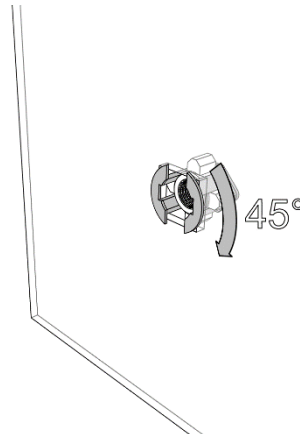


### MOUNTING OF CAGE NUT

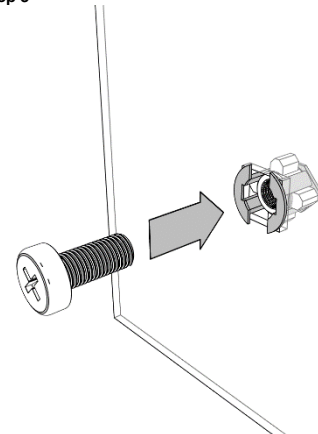
Step 1



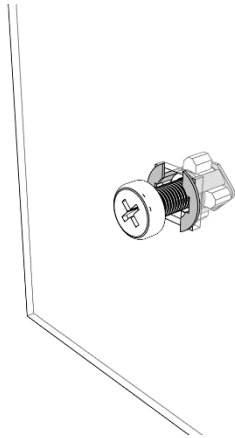
Step 2



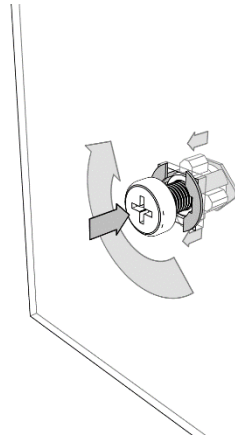
Step 3



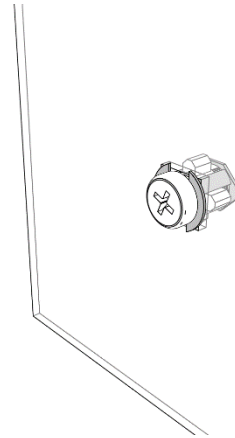
Step 4



Step 5

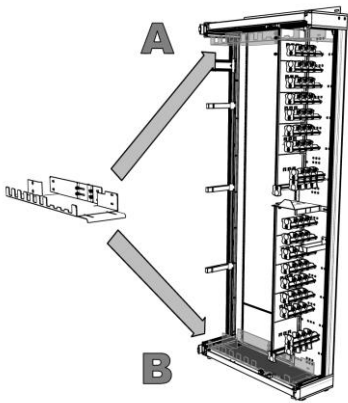


Step 6

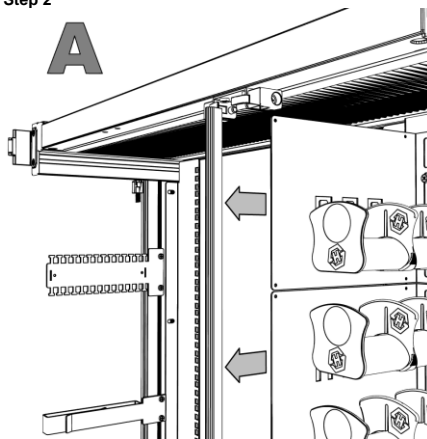


### MOUNTING OF ROUTING CHANNEL

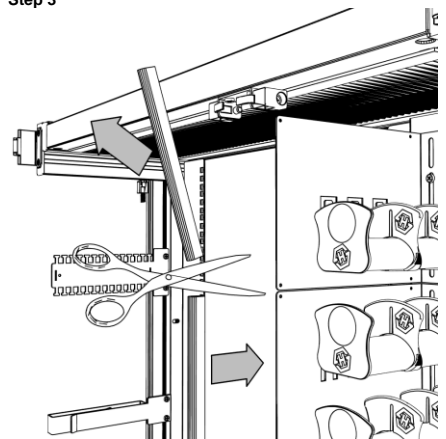
Step 1



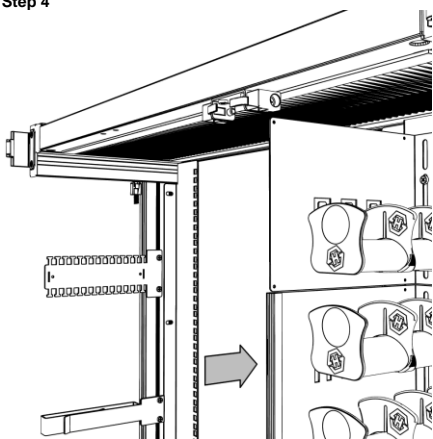
Step 2



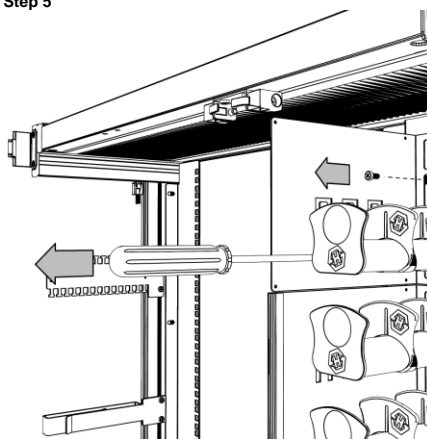
Step 3



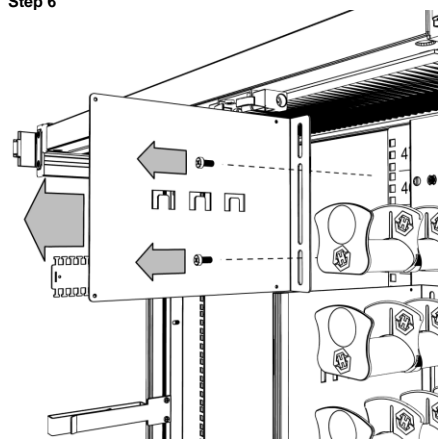
Step 4



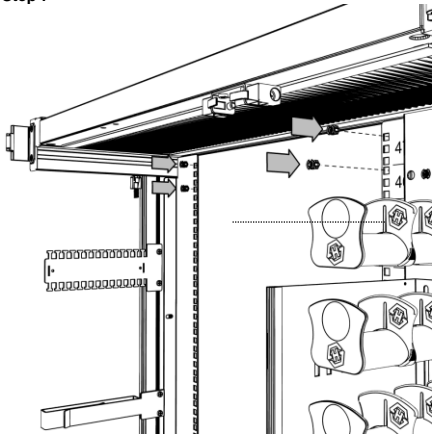
Step 5



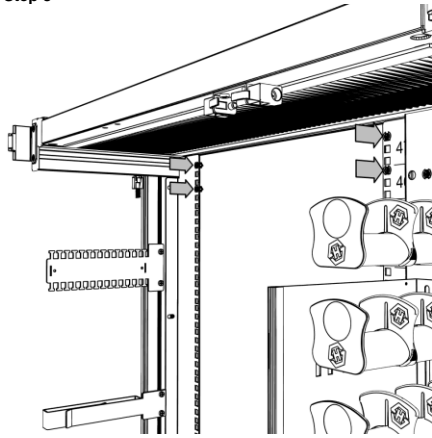
Step 6



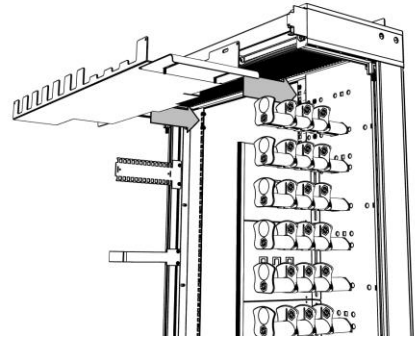
Step 7



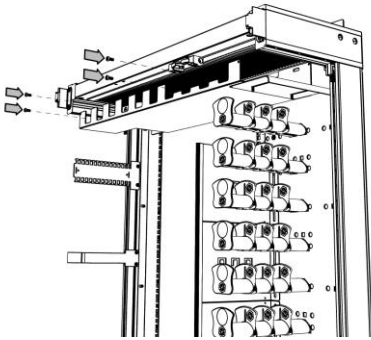
Step 8



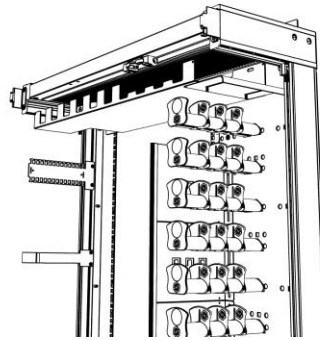
Step 9



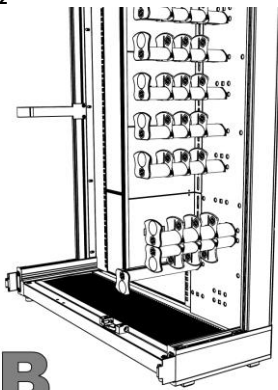
Step 10



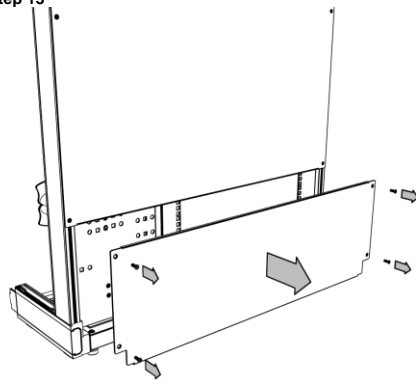
Step 11



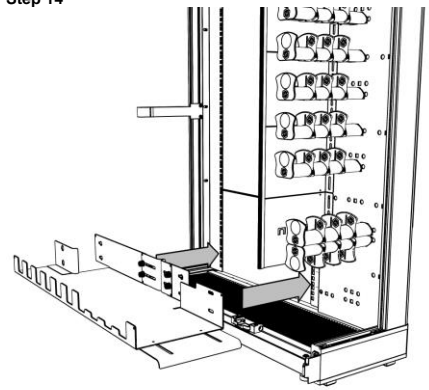
Step 12



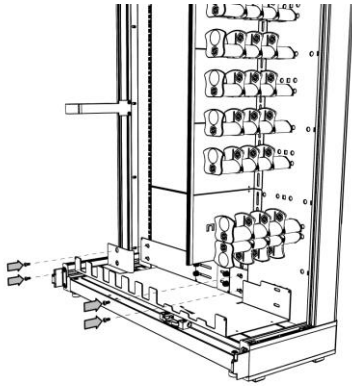
Step 13



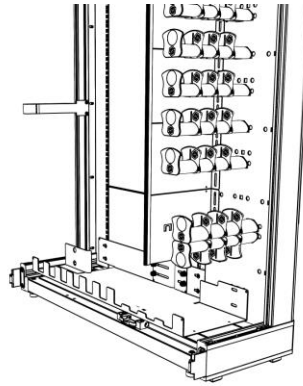
Step 14



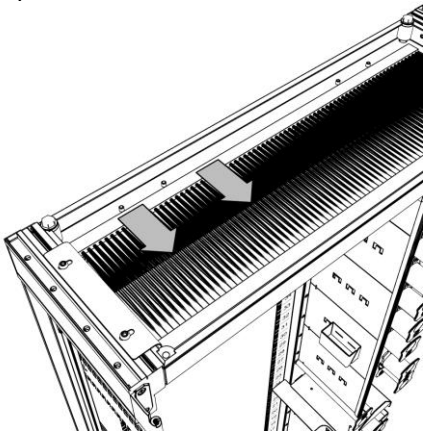
Step 15



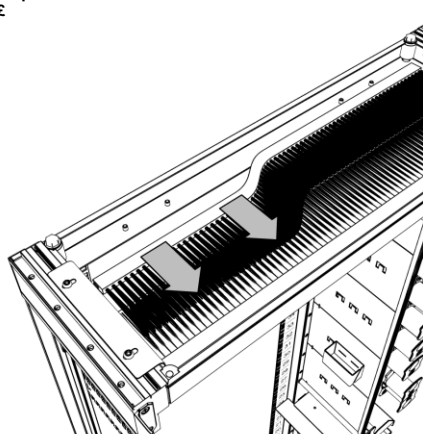
Step 16



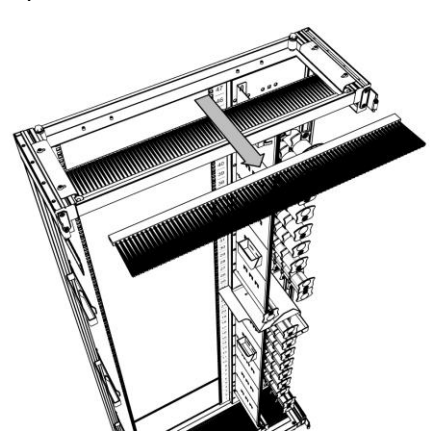
Step 17



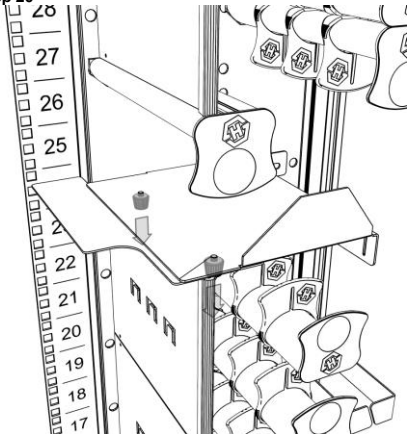
Step 18



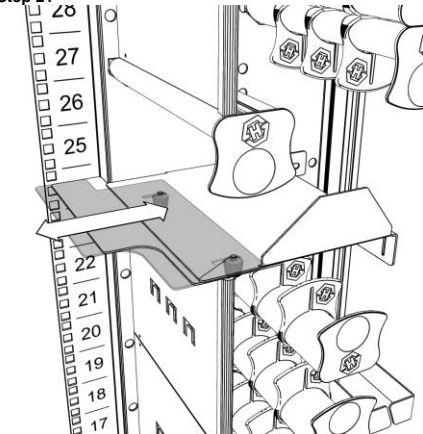
Step 19



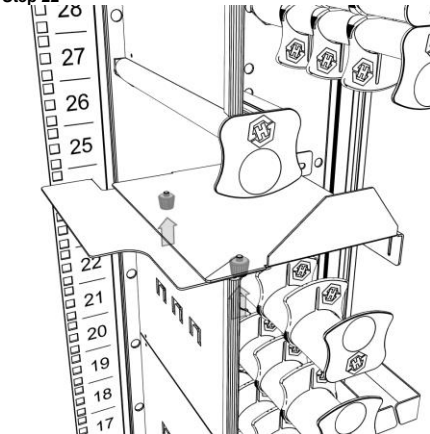
Step 20



Step 21

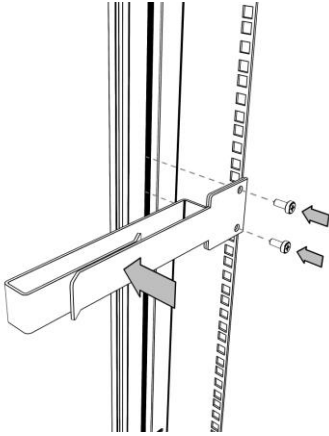


Step 22

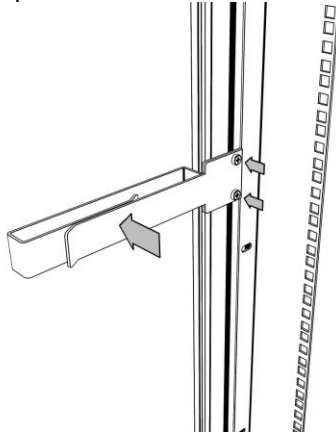


### MOUNTING OF CABLE RETAINER

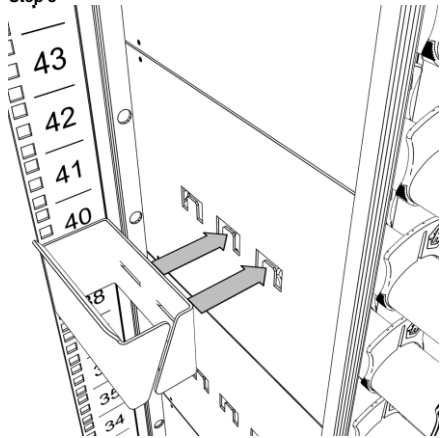
Step 1



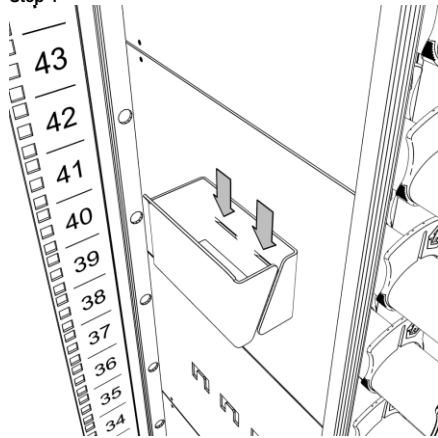
Step 2



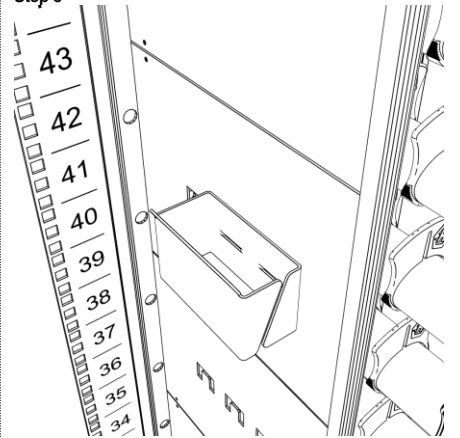
Step 3



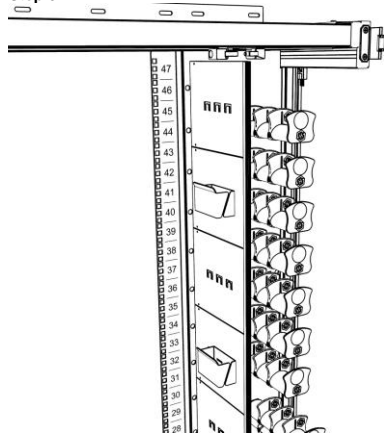
Step 4



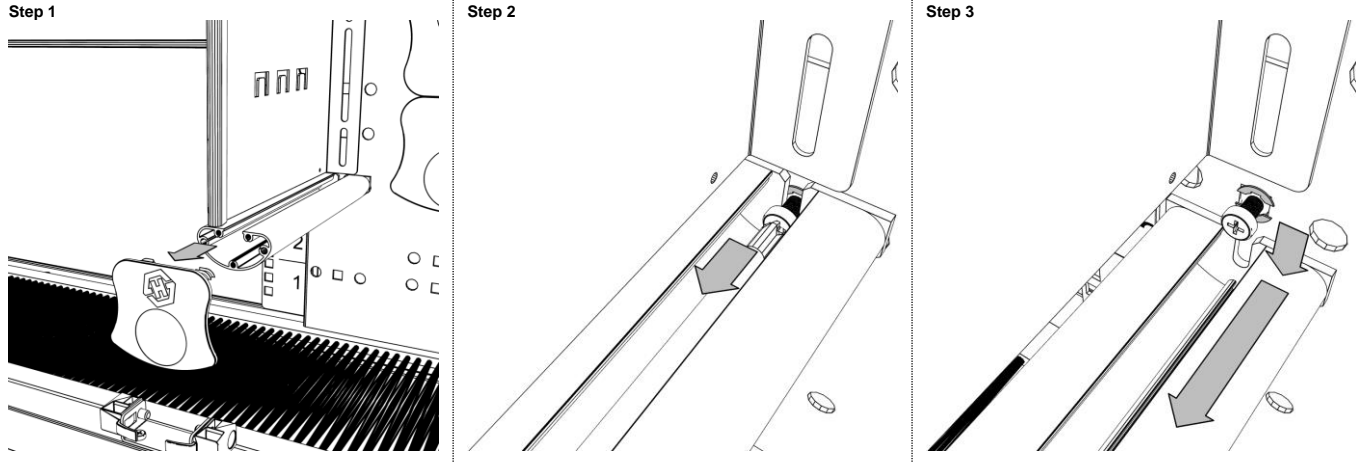
Step 5



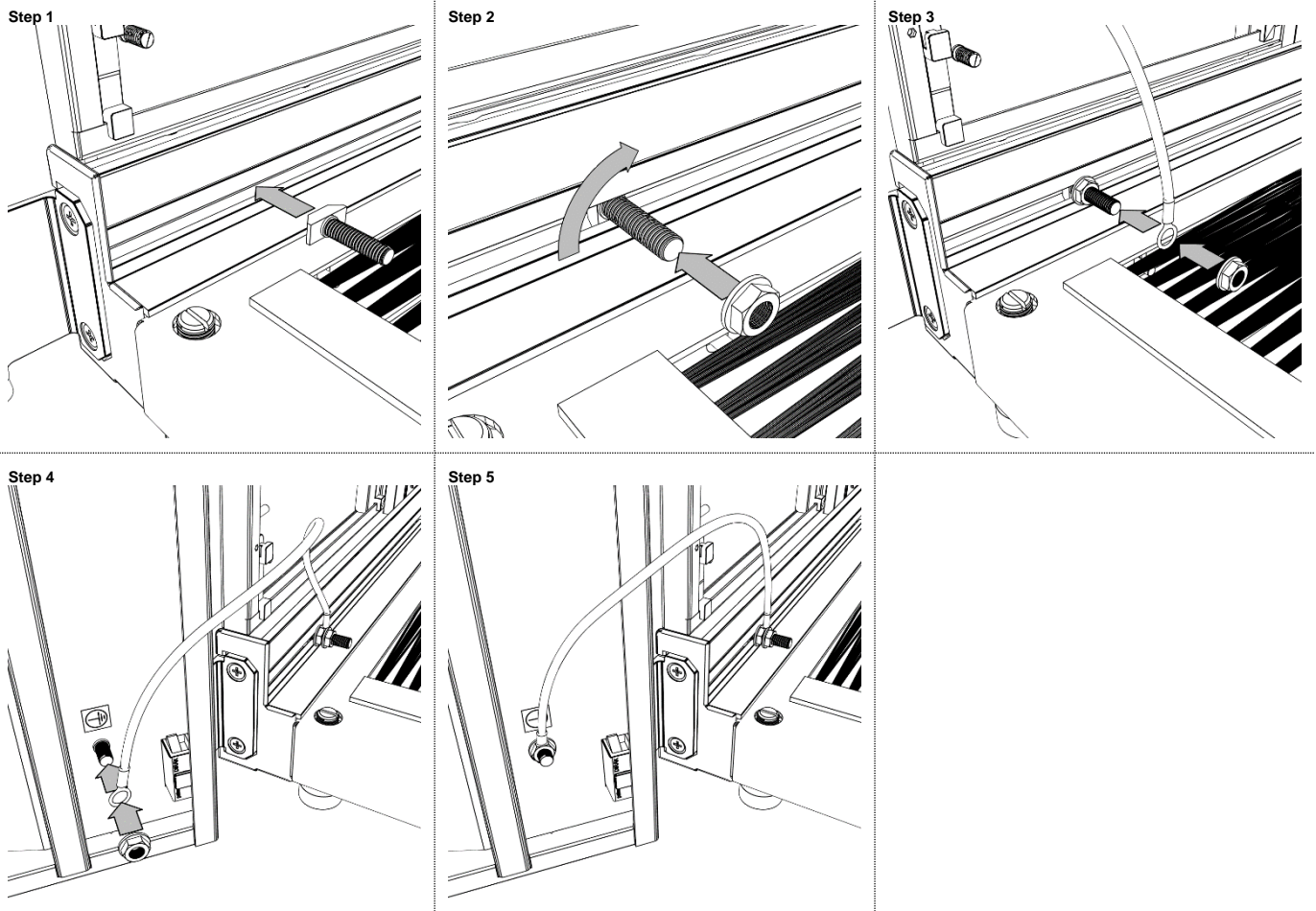
Step 6



### DEMOUNTING / MOUNTING OF MANDRELS



### MOUNTING OF GROUNDING CABLES / EARTH KIT

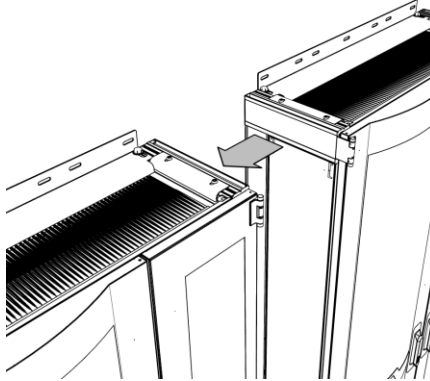


### BAYING RACKS TOGETHER SIDE BY SIDE

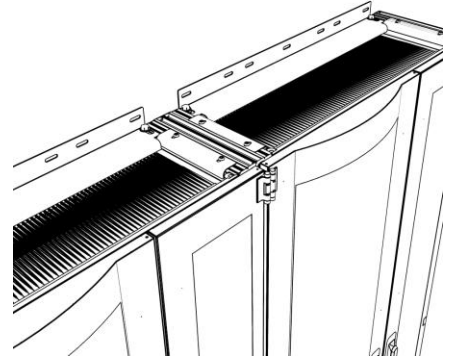
Step 1



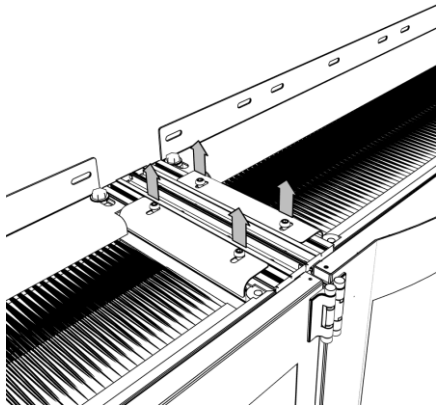
Step 2



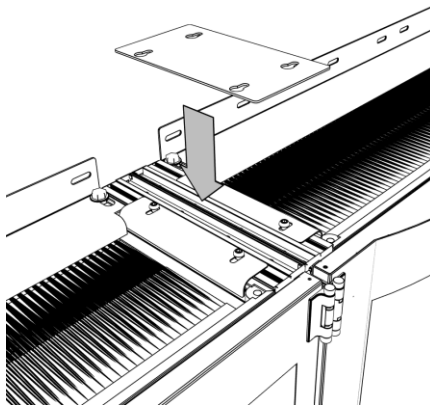
Step 3



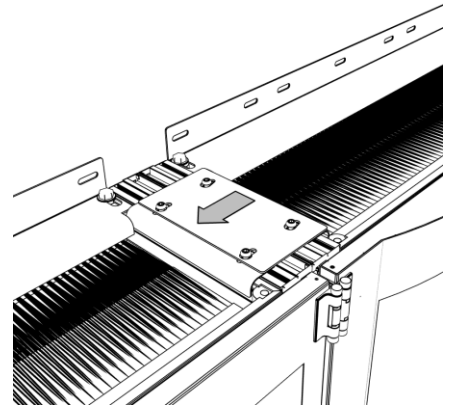
Step 4



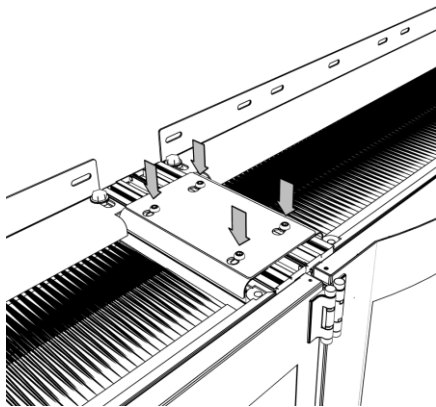
Step 5



Step 6



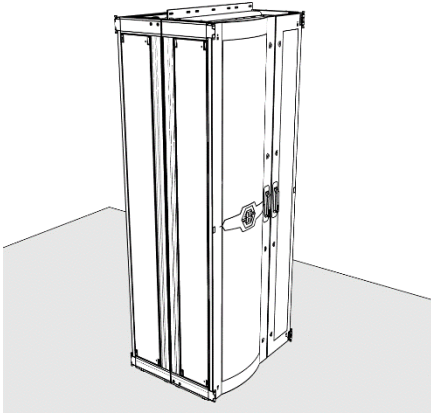
Step 7



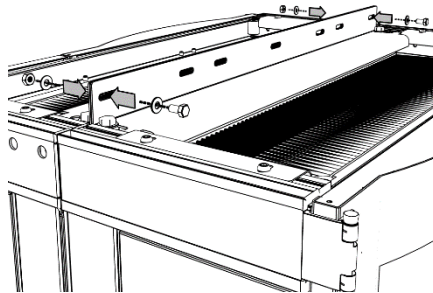


### BAYING RACKS TOGETHER BACK TO BACK

Step 1

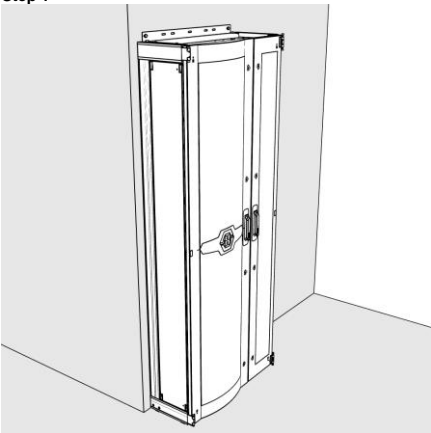


Step 2

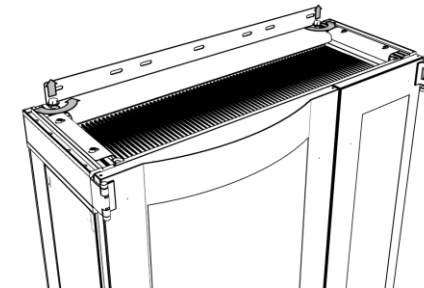


### MOUNTING OF RACK AGAINST A WALL

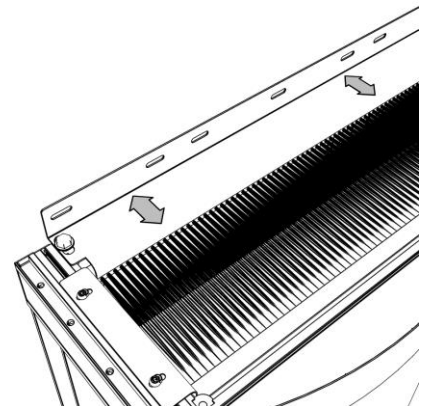
Step 1



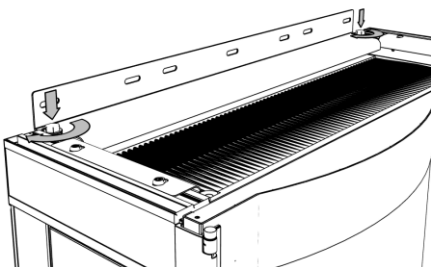
Step 2



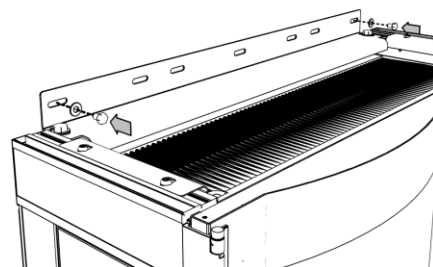
Step 3



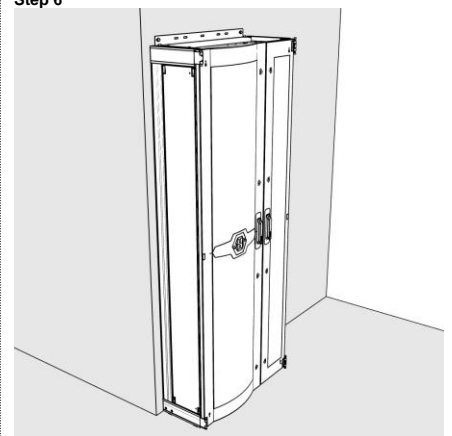
Step 4



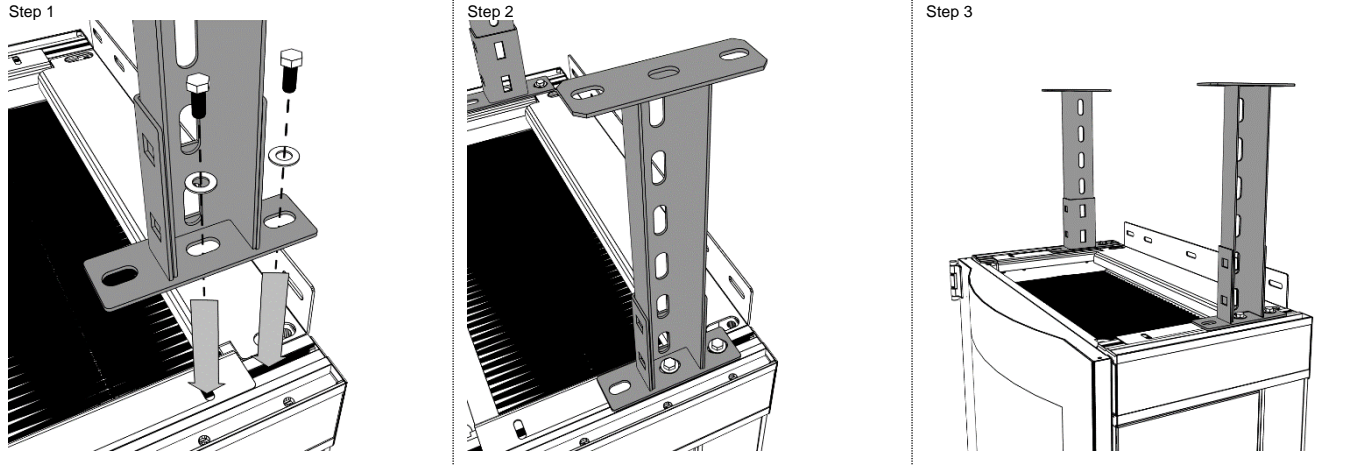
Step 5



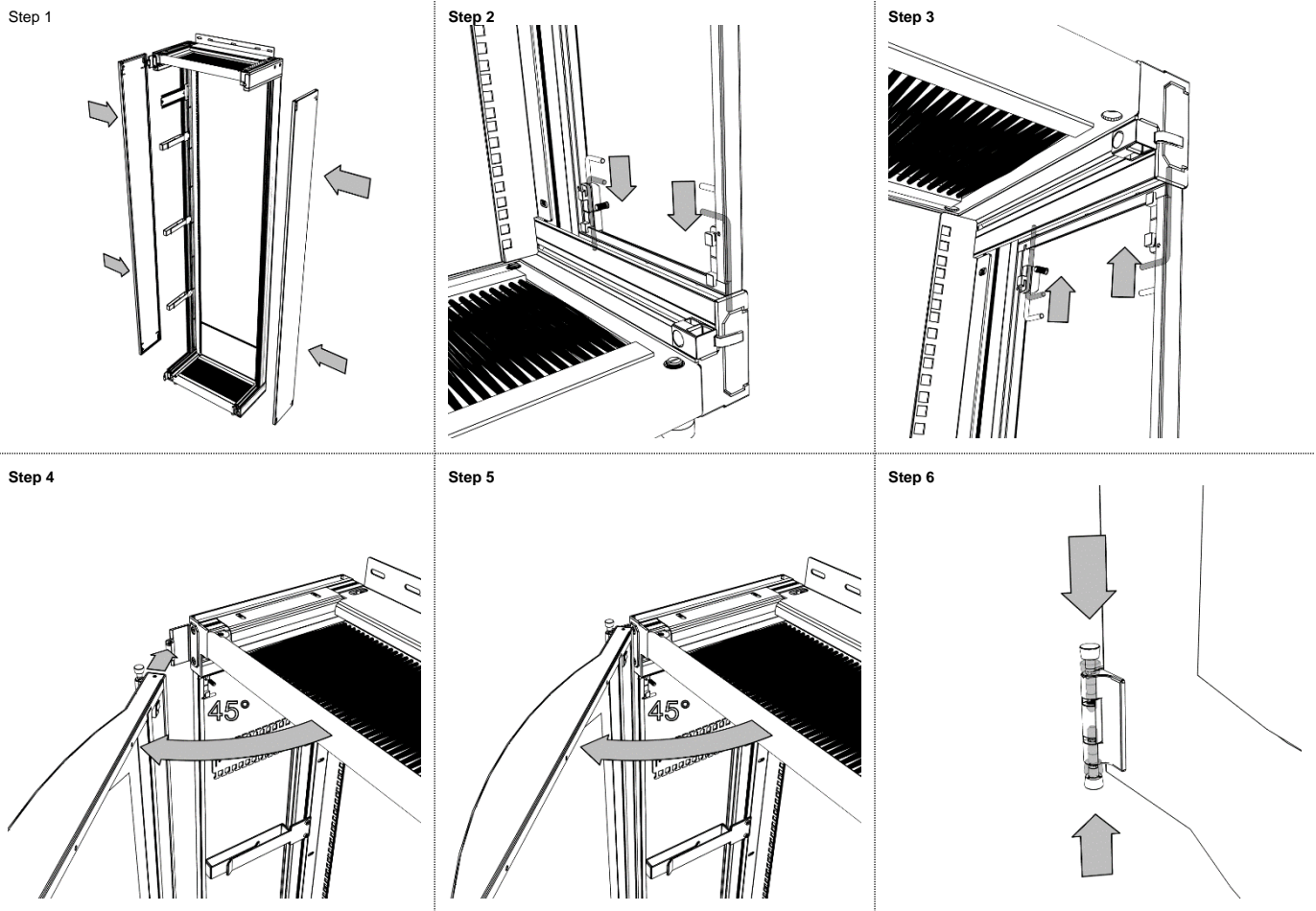
Step 6



### MOUNTING OF RACK TO CEILING – 84069172



### MOUNTING OF DOORS AND SIDE PANELS



HUBER+SUHNER disclaims any liability resulting from incorrect installation and use, including any damages resulting from the use of tools and accessories other than the ones recommended herein. Any installation performed by unqualified personnel voids the product warranty provided by HUBER+SUHNER. All due care and attention must be exercised when performing the installation of these products. For advice concerning the general handling of these products please contact HUBER+SUHNER.

**Step 7**

